

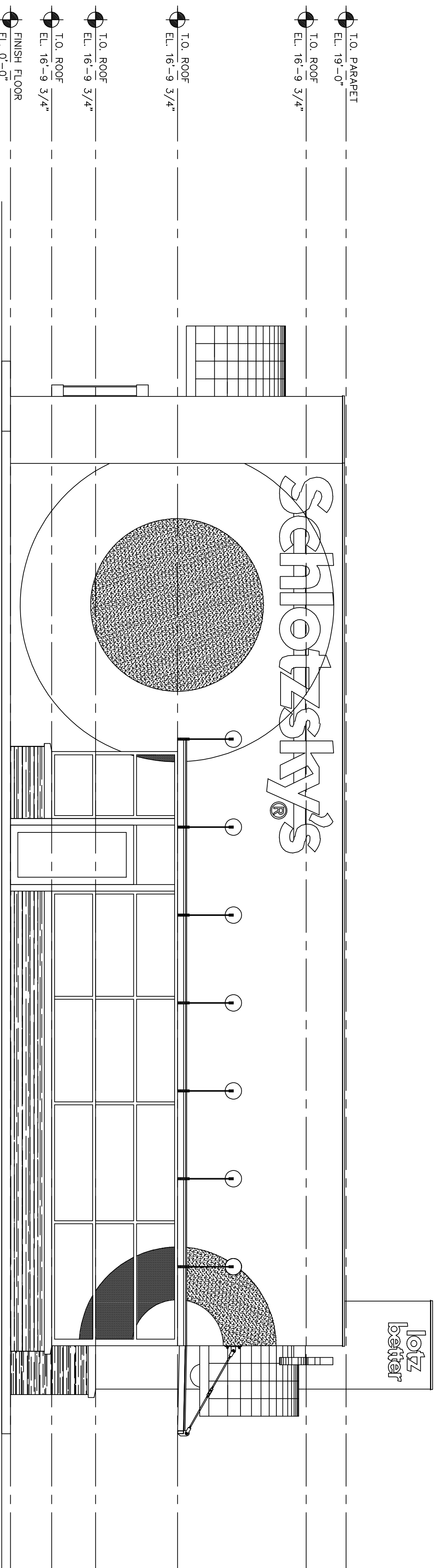
Rev.	By	Date

**SCHLOTZSKY'S
@ VICTORY LAKETOWN CENTER
TRACT 7A NEC INTERSTATE HWY 45 & F.M.646
LEAGUE CITY, TEXAS 77573**

ARCH
Woo Associates, LLC.
ARCHITECTS - PLANNERS
13734 Brantford Green Dr.
Houston, TX 77083
(281) 530-3192

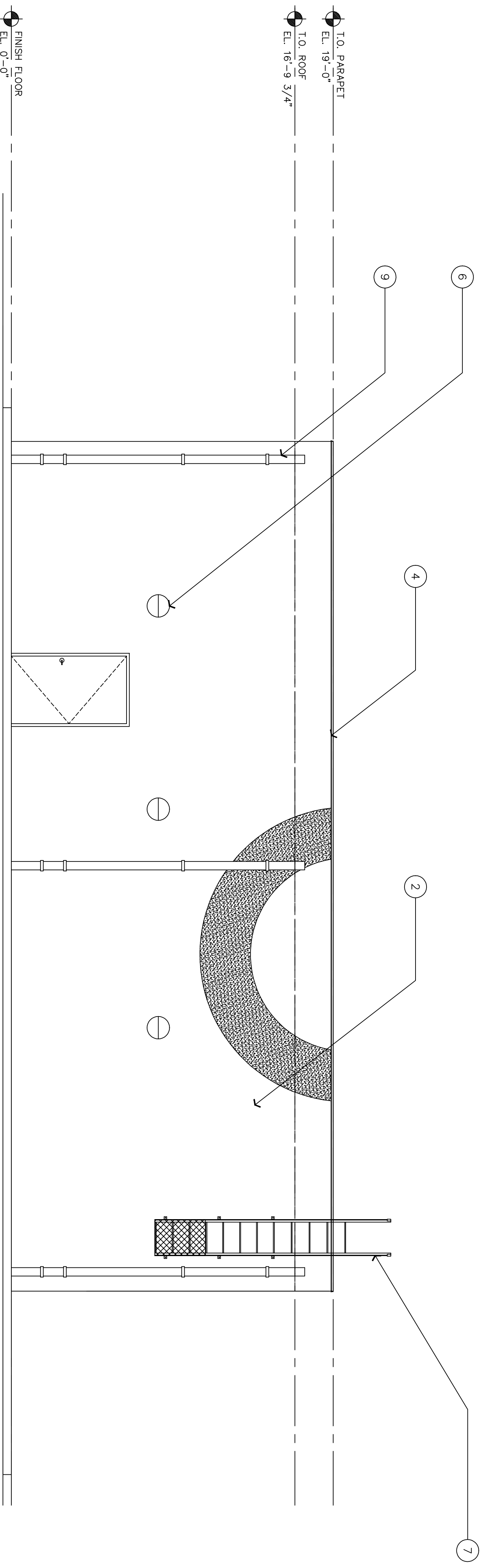
Date	05-26-2010
Scale	AS SHOWN
Drawn by	KW
Job#:	VICTORY LAKE

A3.1



C. EXTERIOR ELEVATION
SCALE: 1/4" = 1'-0"
AREA: 3,000 SQ.FT.

- EXTERIOR ELEVATION NOTES**
- 1 SCHLOTZSKY'S SIGN (N.I.C.)
 - 2 METAL STUD WALL RESTRICT DIMS. TYPICAL PAINT ON EXPOSED EXTENSION SURFACES.
 - 3 PREFABRICATED ALUMINUM CANOPY
 - 4 PREFINISHD GALV. CAP FLASHING.
 - 5 CAST STONE, FINISHES
 - 6 DECORATIVE LIGHT FIXTURE.
 - 7 STEEL ROOF ACCESS LADDER. VERIFY EXACT LOCATION OF LADDER
 - 8 WALL MOUNTED SECURITY LIGHT FIXTURES. RE: ELECTRICAL DRAWINGS.
 - 9 6"x6" PREFINISHED METAL GUTTER & DOWNSPOUT.
 - 10 3/4" SLATE STONE BASE .
 - 11 7'-0" X 7'-6" ALUMINUM AND GLASS STOREFRONT DOORS. VERIFY LOCATION OF DOORS WITH OWNER AND TENANT.



D. EXTERIOR ELEVATION
SCALE: 1/4" = 1'-0"
AREA: 3,000 SQ.FT.