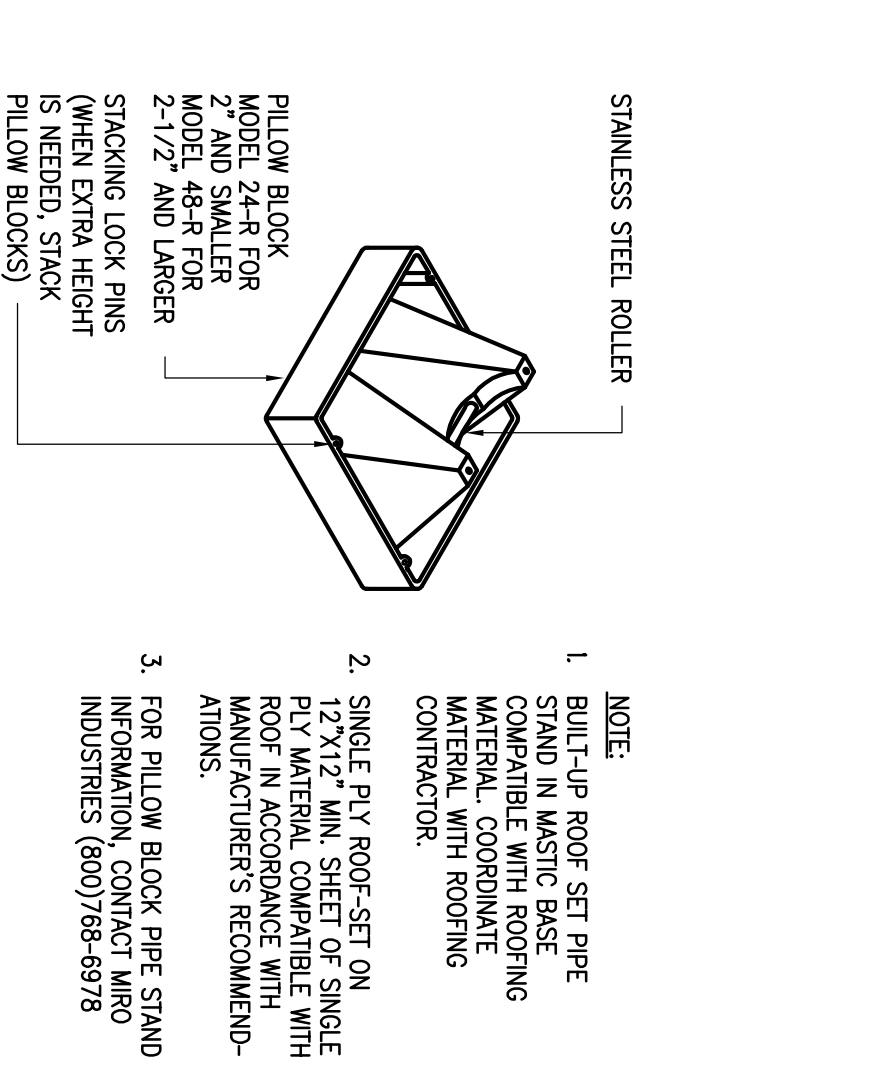
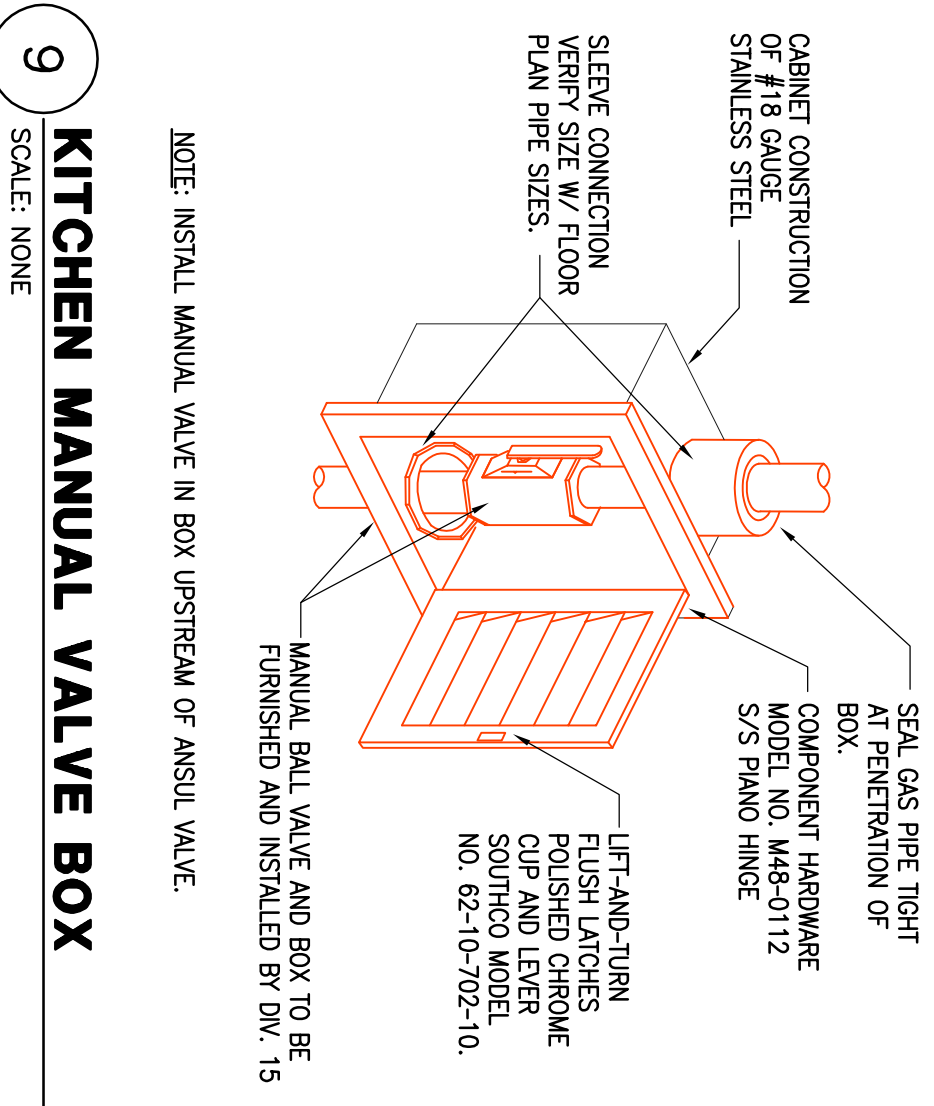


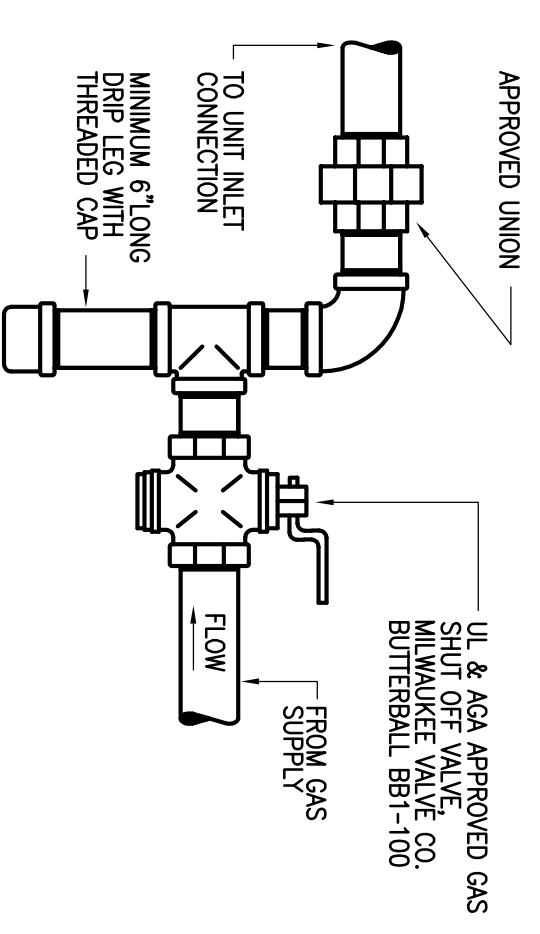
ISSUE  
01/29/12 ISSUED FOR PERMIT  
02/16/12 ISSUE FOR BID



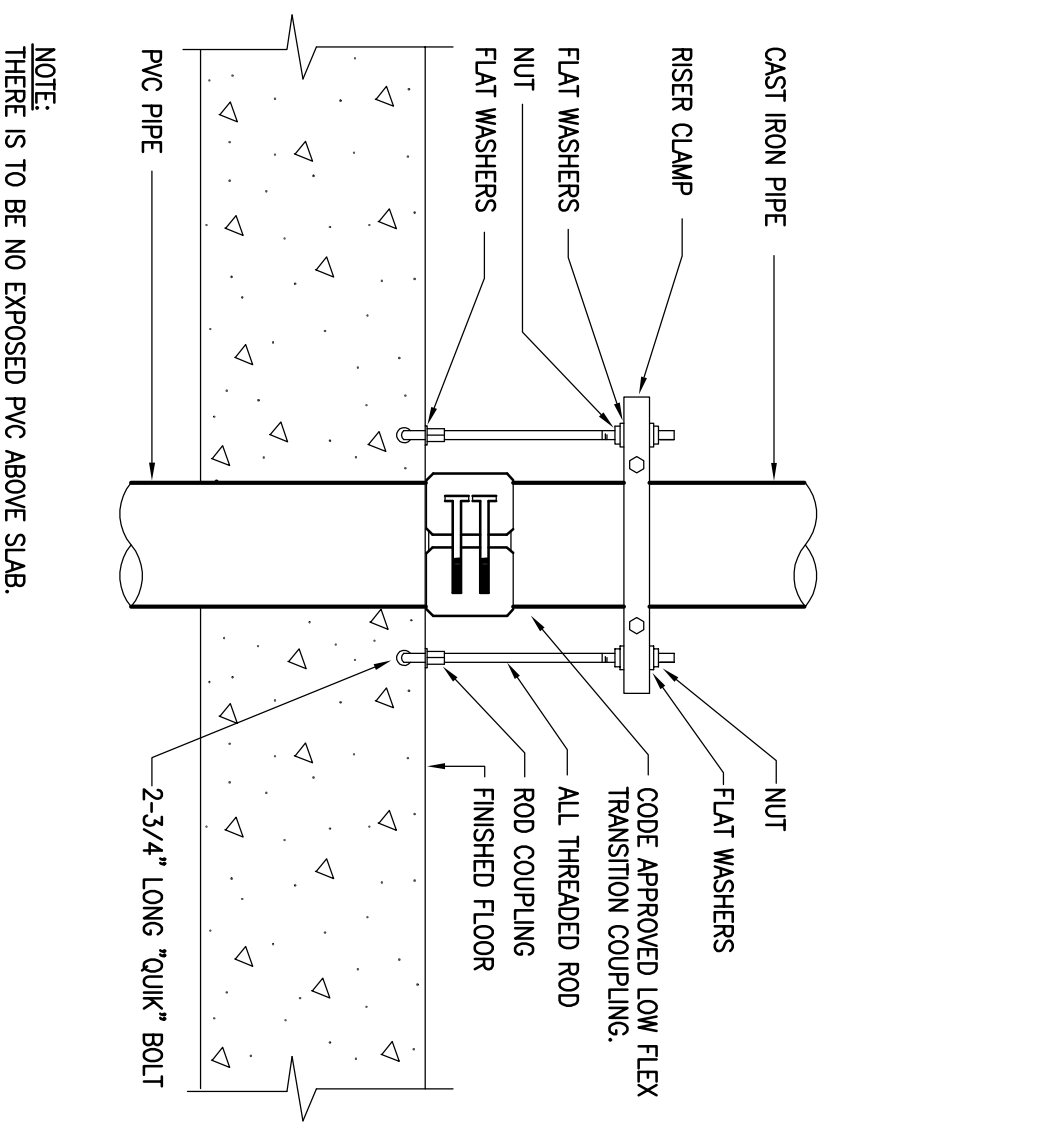
**10** PIPE SUPPORT ON ROOF  
SCALE: NONE



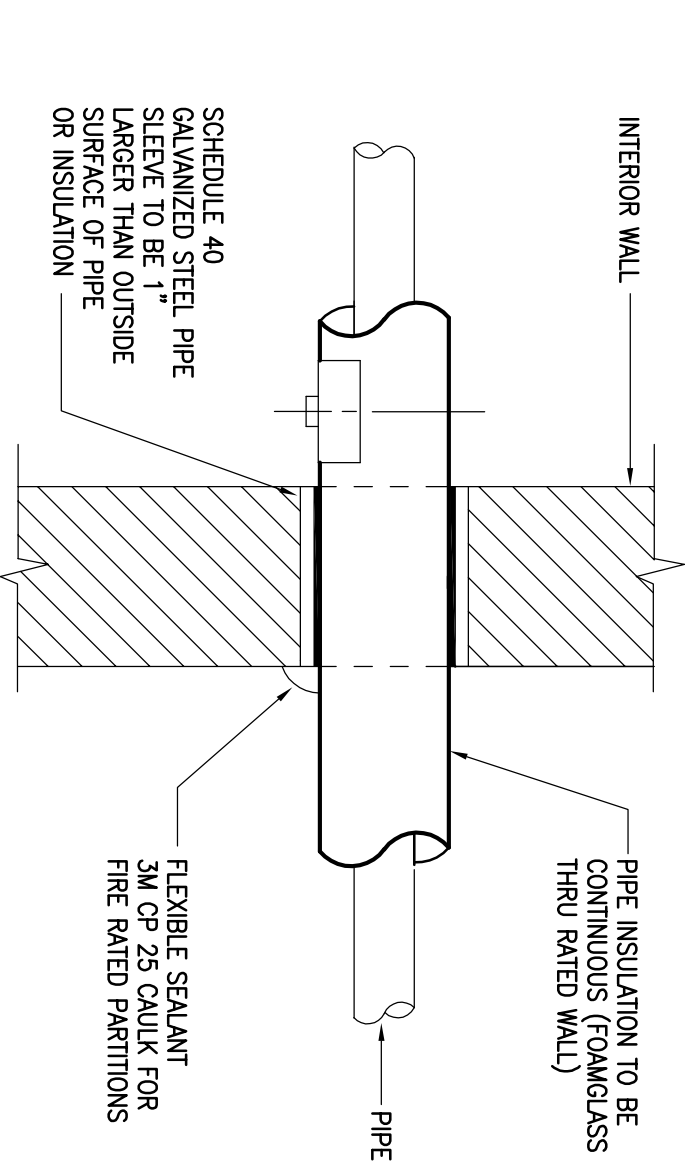
**9** KITCHEN MANUAL VALVE BOX  
SCALE: NONE



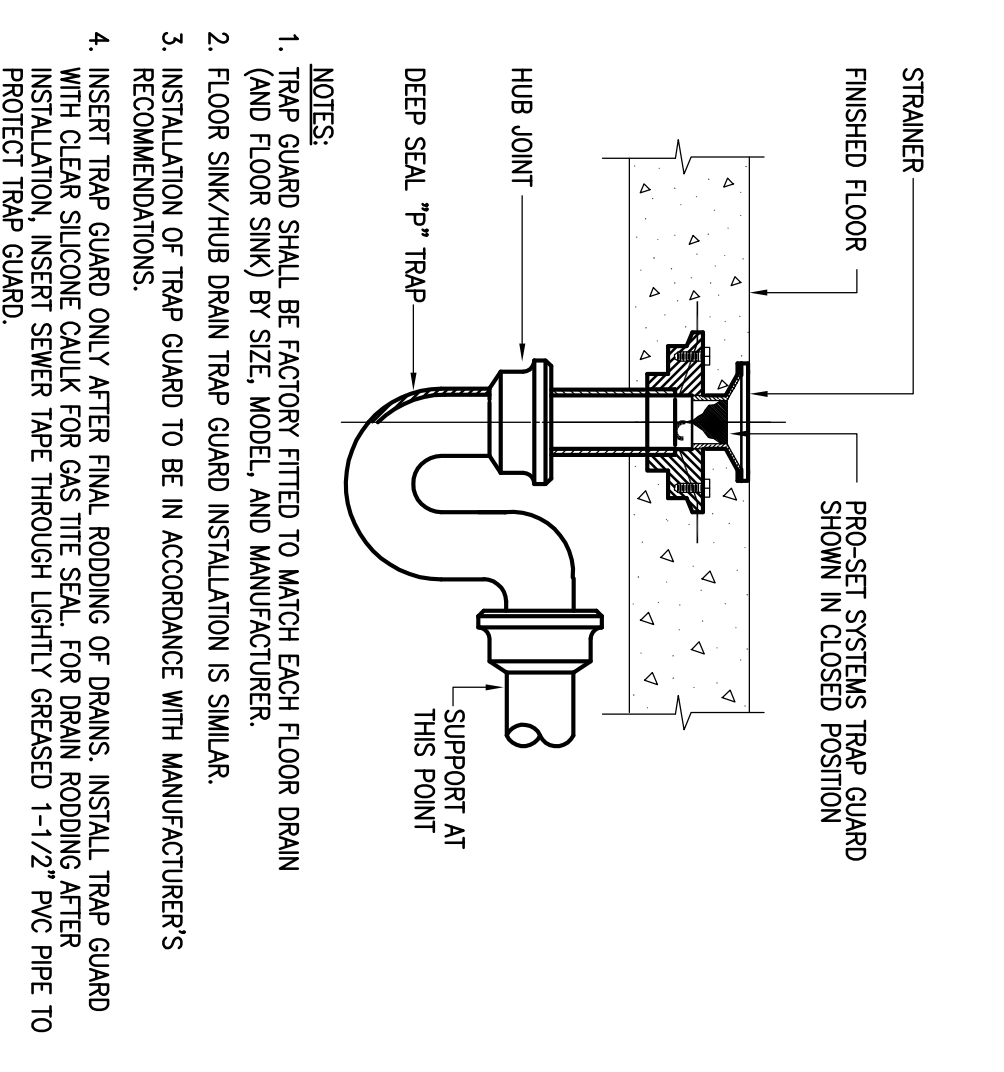
**8** GAS CONNECTION TO EQUIPMENT  
SCALE: NONE



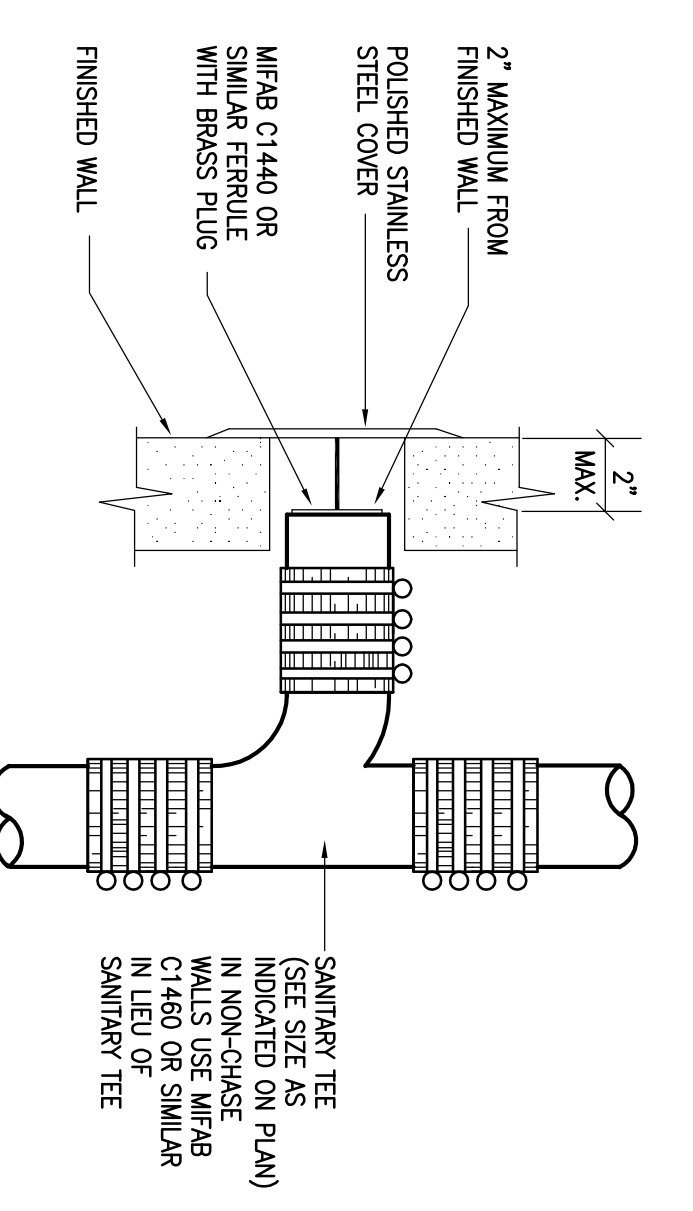
**6** CAST IRON TO PVC PIPE TRANSITION  
SCALE: NONE



**5** INTERIOR WALL PENETRATION  
SCALE: NONE



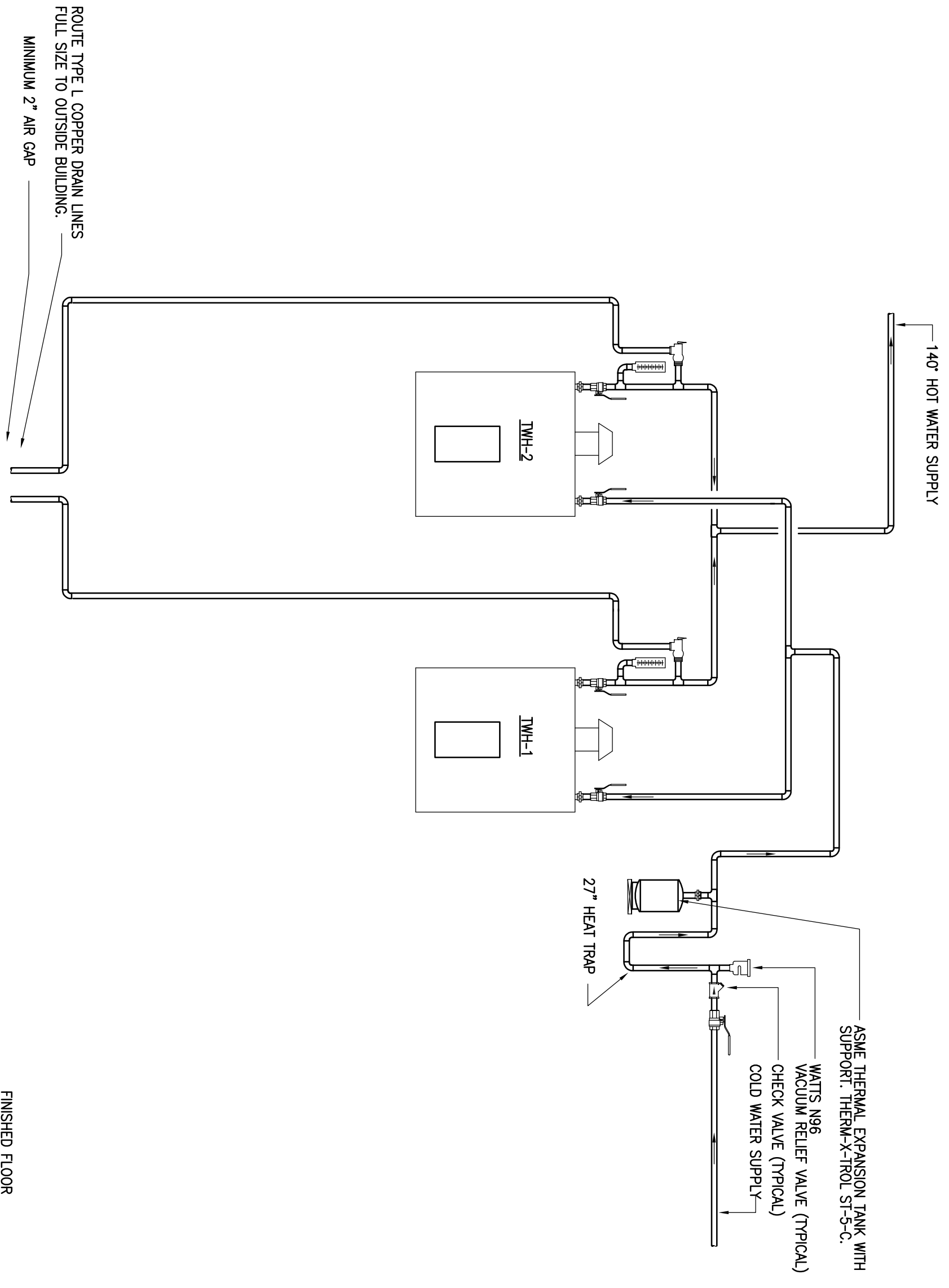
**3** FLOOR DRAIN WITH TRAP SEAL PROTECTION  
SCALE: NONE



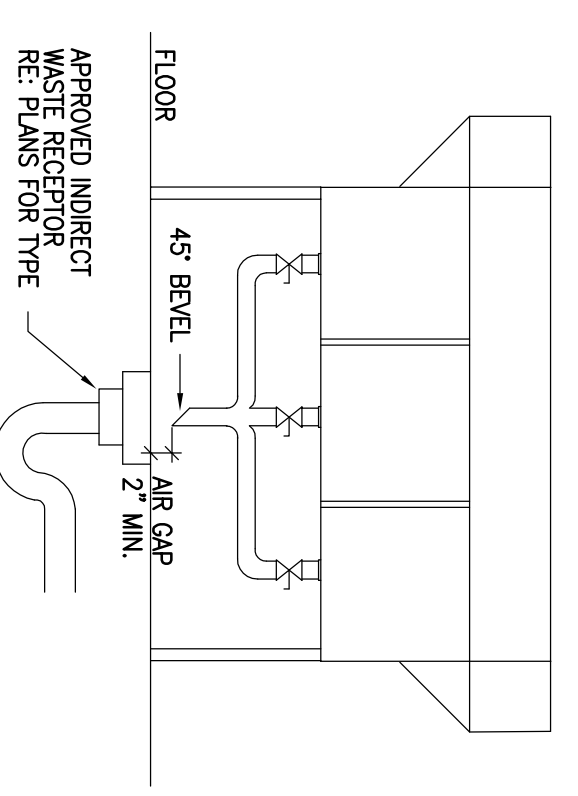
**2** WALL CLEANOUT  
SCALE: NONE

MINIMUM DIMENSIONS OF GALVANIZED SHEET AT PIPE HANGERS			
NOMINAL SIZE PIPE	SHIELD LENGTH (IN.)	GUAGE THICKNESS	GAUGE
1/2" - 2-1/2"	12	18	18
3" - 4"	18	18	18

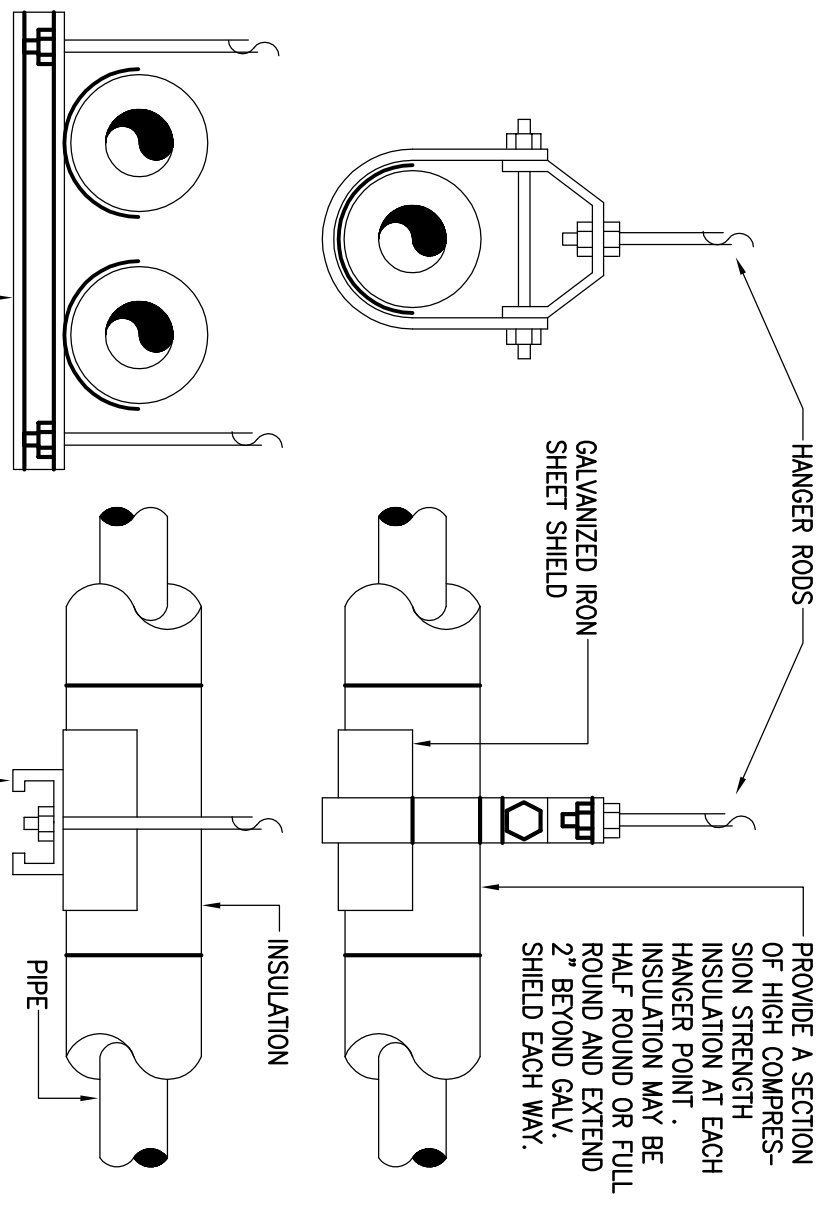
NOTE: SIZING OF A/E PIPE SUPPORTS FROM BUILDING STRUCTURAL SYSTEM SHALL BE APPROVED BY STRUCTURAL ENGINEER PRIOR TO INSTALLATION.



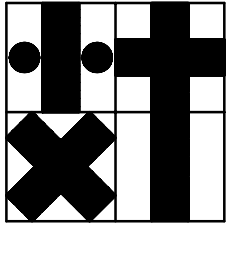
**7** GAS INSTANTANEOUS WATER HEATER DETAIL  
SCALE: NONE



**4** THREE COMPARTMENT SINK  
SCALE: NONE



**1** HANGER FOR WATER PIPING  
SCALE: NONE



Holste & Associates, Inc.  
Consulting Engineers - Texas Reg. 5-5443  
6671 Southwest Freeway, Suite 850  
Houston, Texas 77074 (713) 995-1351  
www.holste.com  
Contact: Bob Schmitt (832) 983-0886

CONSULTANTS  
**HARRELL**  
ARCHITECTS, LP  
9272 Katy Fwy., #200  
Houston, Texas 77024  
Tel: 713.222.7071  
Fax: 713.222.7072

PROJECT NAME  
**Maharaja Bhog**

PROJECT ADDRESS  
8338 Southwest Freeway  
Houston, Texas 77074

PROJECT NUMBER  
11078  
SHEET NAME  
**PLUMBING DETAILS**  
SHEET NUMBER

**P2.1**