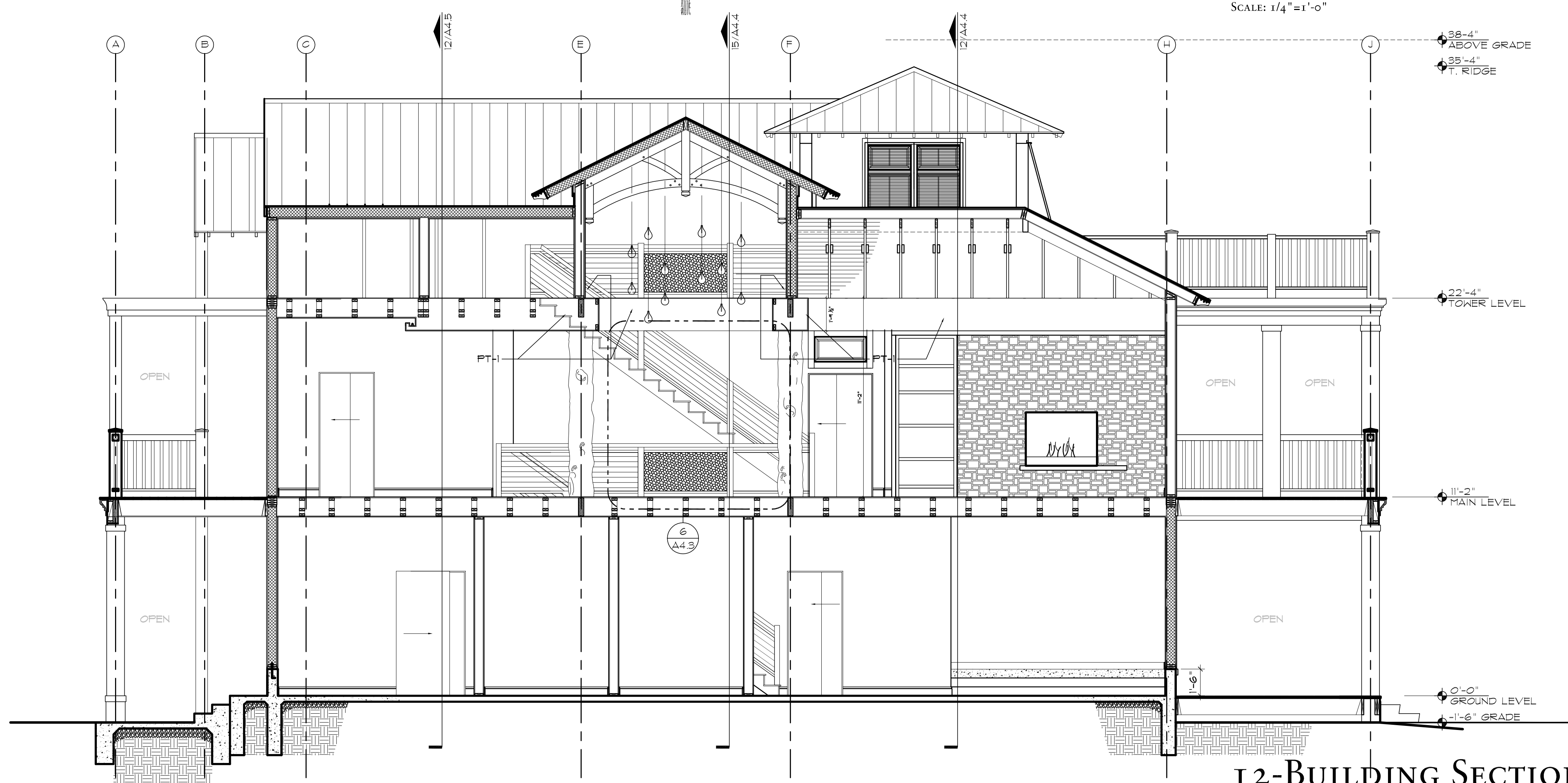


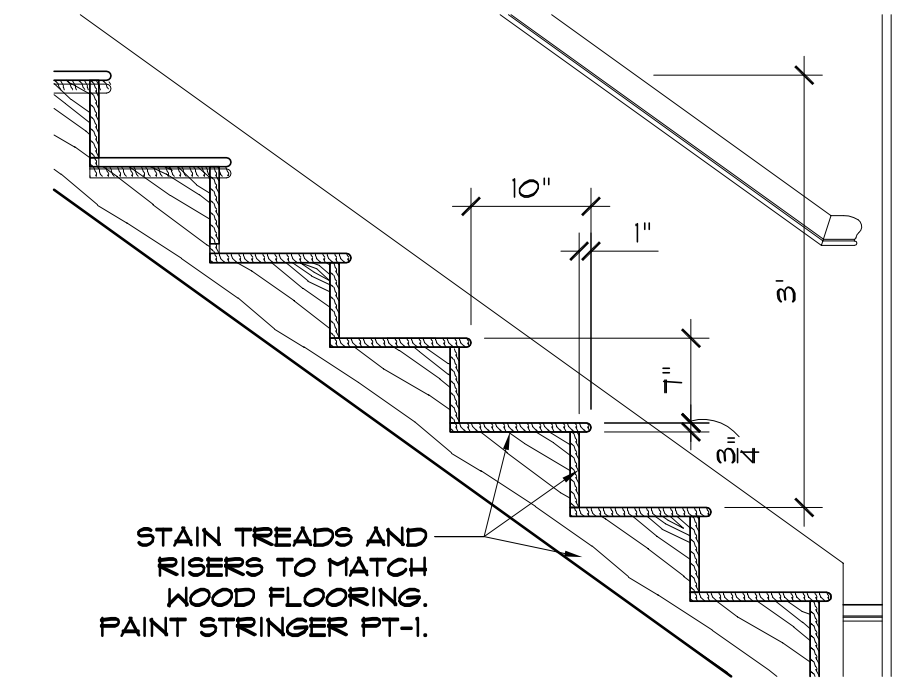
7-BUILDING SECTION

SCALE: 1/4"=1'-0"



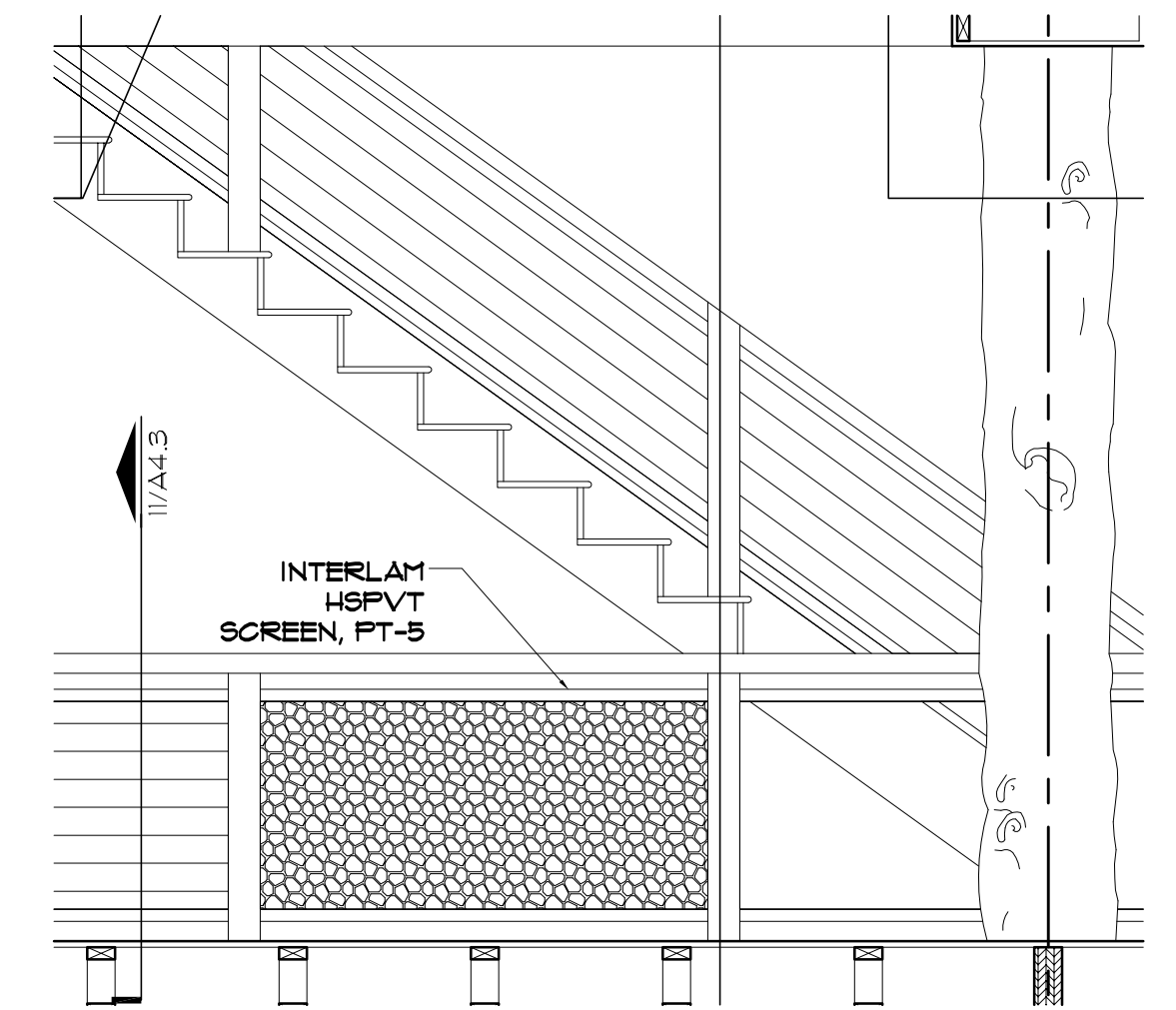
12-BUILDING SECTION

SCALE: 1/4"=1'-0"



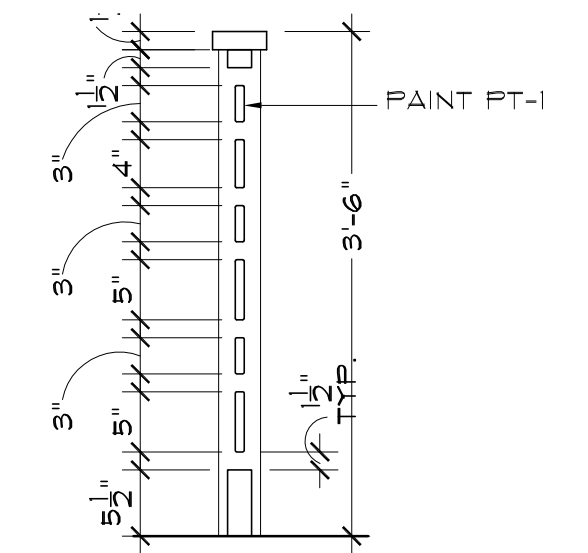
I-STAIR SECTION

SCALE: 3/4"=1'-0"



6-STAIR ELEVATION

SCALE: 1/2"=1'-0"



I1-RAILING SECTION

SCALE: 3/4"=1'-0"

SHEET NO.		A4.3	
BUILDING SECTIONS & DETAILS		CIN3401R	
DATE		1 JUN 13	
<p>THE GRUENE HOUSE CINNAMON SHORE 175 SEASIDE DR. PORT ARANSAS, TX 78373</p>			
<p>620 N. Delaware Indianapolis, IN 46204 317.263.1320 tel. 317.263.1320 fax www.brennerdesign.com</p>			
<p>BRENNER DESIGN Architecture Construction Management</p>			