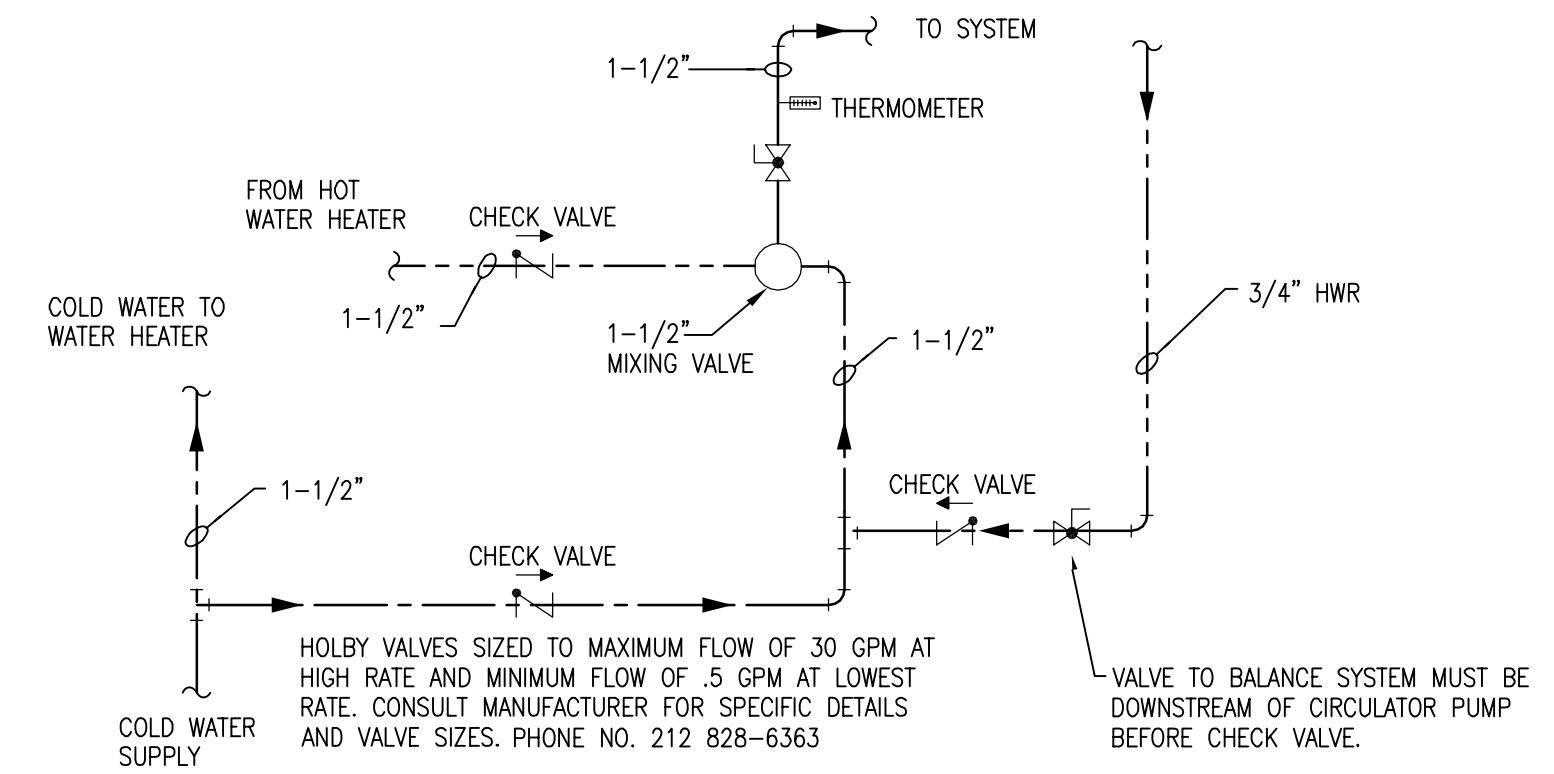
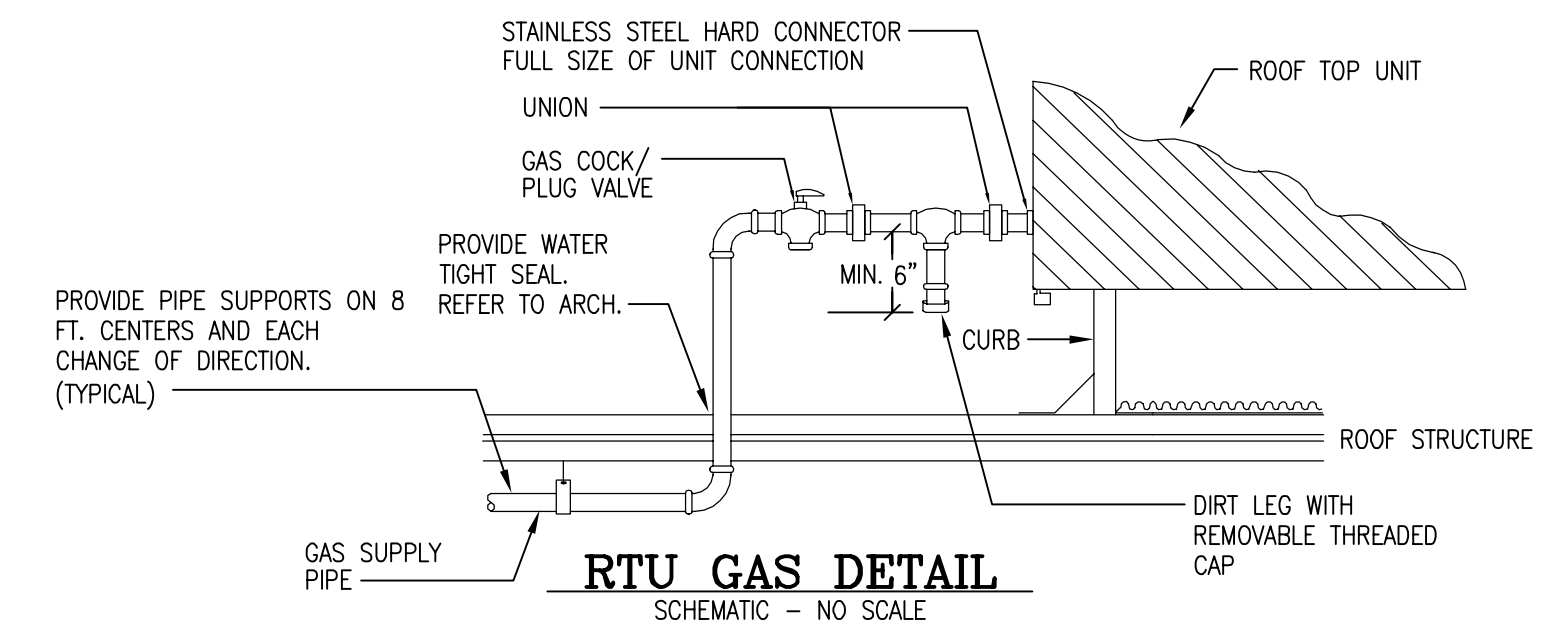


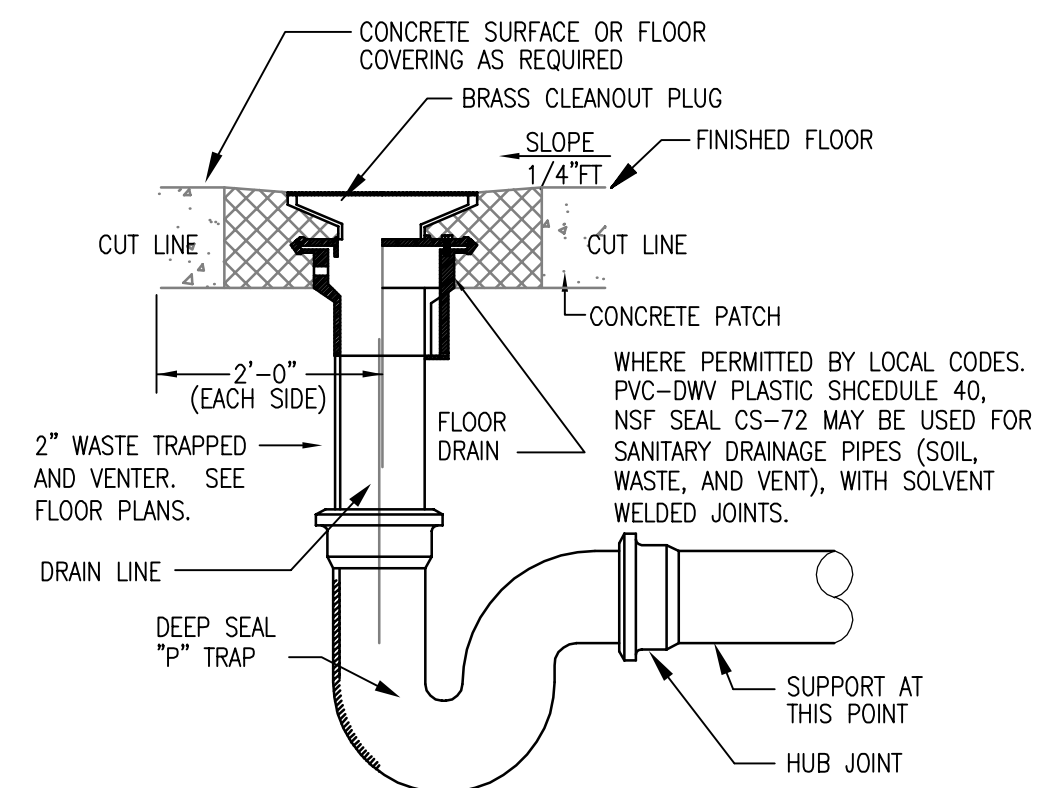
TANKLESS WATER HEATER DETAIL
SCHEMATIC - NO SCALE



HOT WATER MIXING VALVE DETAIL
NOT TO SCALE



RTU GAS DETAIL
SCHEMATIC - NO SCALE



FLOOR DRAIN - DETAIL
NOT TO SCALE

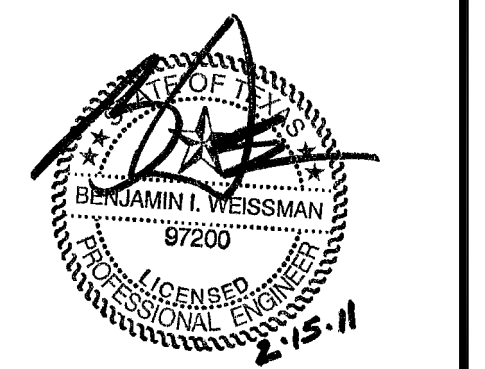
JSE Jordan & Skala Engineers
11231 Richmond Ave., Suite 0101
Houston, TX 77082
V: (281) 617-3200 F: (281) 617-3207
Project Number - 106-0634 Texas Firm Registration # F-4990
Drawn By: JSE Checked By: JSE

**CISNEROS DESIGN STUDIO,
ARCHITECTS LLC**
4621 Montrose Blvd. Suite B220 Houston, Texas 77006
(PH) 713-520-7745 (FAX) 713-520-8894
COPYRIGHT 2011
CISNEROS DESIGN STUDIO ARCHITECTS, LLC
Drawings and specifications are instruments of service and shall remain the property of the Architect. They are not to be used on other projects or in connection with any project without the written consent of the Architect. Contractor is responsible for obtaining all necessary permits, licenses, and approvals for construction means, methods, techniques, sequences or procedures, or for safety precautions and programs in connection with the project.

DAMICO'S RESTAURANT
2802 WHITE OAK, SUITE 500
HOUSTON, TX 77007

ARCHITECT:

ENGINEER:



REVISIONS:

DATE ISSUED: 15 FEB. 2011

SHEET
DETAILS
P-1.1