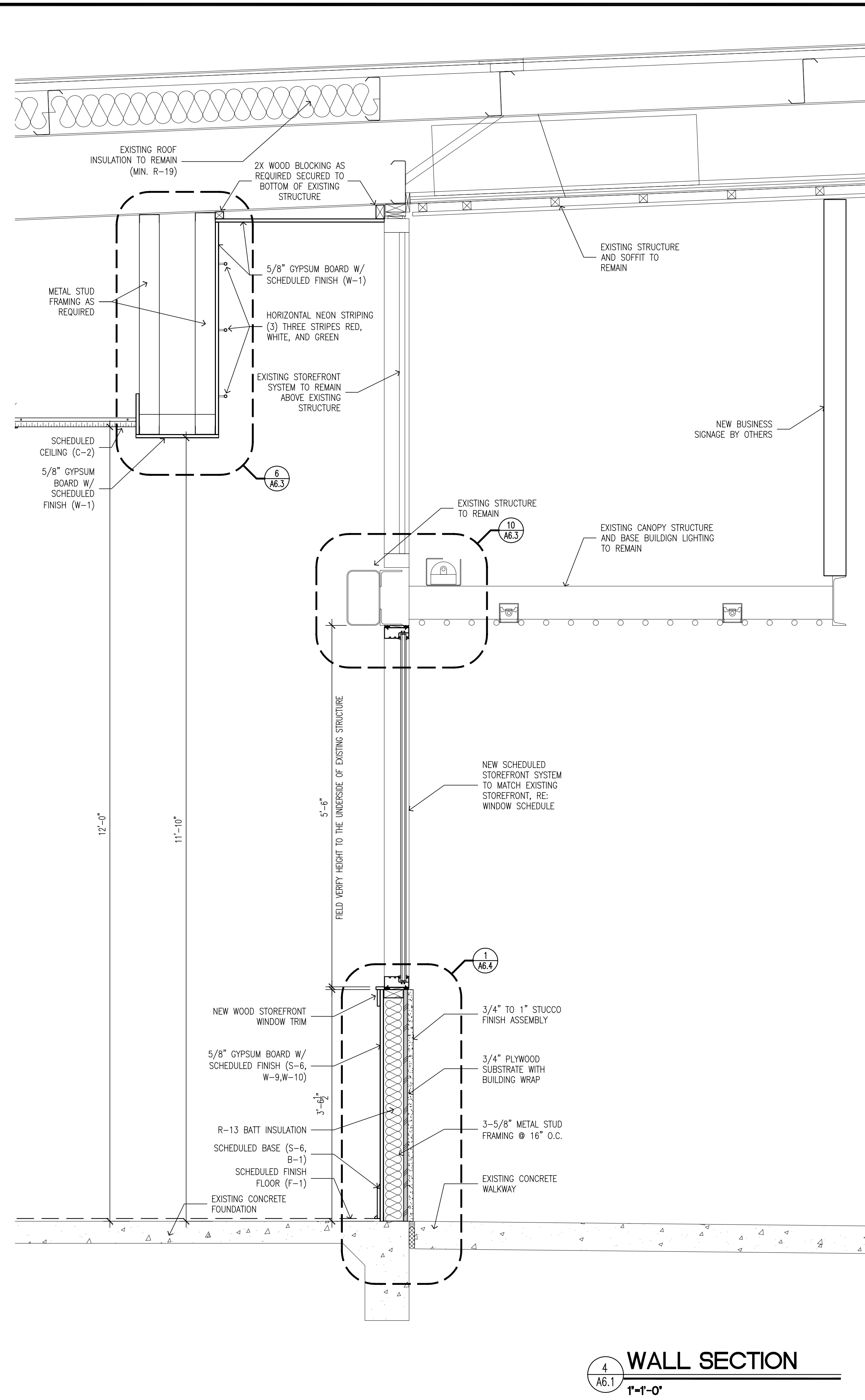
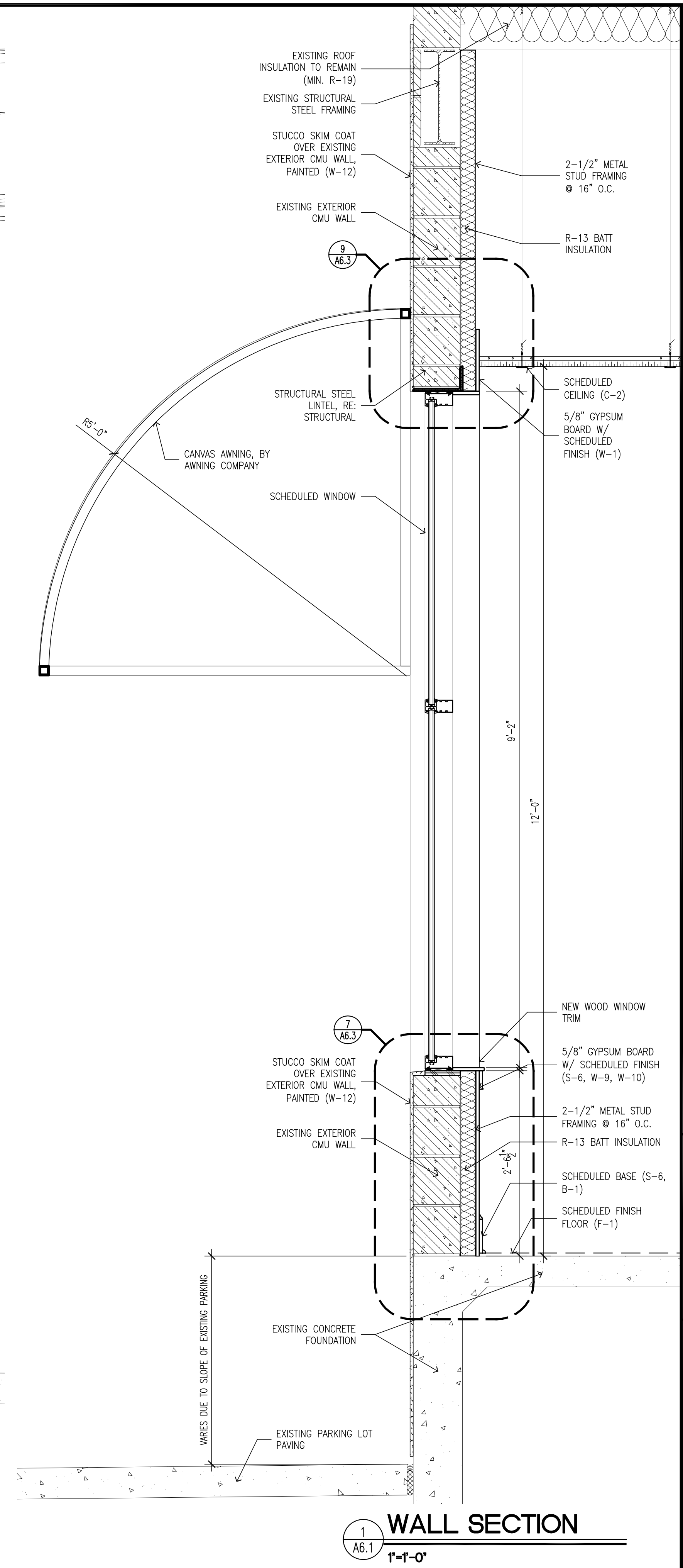


11 WALL SECTION  
A6.1 T-T-0'



4 WALL SECTION  
A6.1 T-T-0'



1 WALL SECTION  
A6.1 T-T-0'

**CISNEROS DESIGN STUDIO,  
ARCHITECTS LLC**  
4621 Montrose Blvd. Suite B220 Houston, Texas 77006  
(PH) 713-520-7745 (FAX) 713-520-8894  
CISNEROS DESIGN STUDIO, ARCHITECTS LLC  
COPYRIGHT 2011  
The Architect shall remain the property of the Architect. The use of the Architect's name in any program or materials in this project except by agreement in writing and with appropriate compensation to the Architect, Contractor is responsible for obtaining the necessary permissions, approvals, and procedures, or for safety procedures and programs in connection with the project.

**DAMICO'S RESTAURANT**  
2802 WHITE OAK, SUITE 500  
HOUSTON, TX 77007

ARCHITECT: ROMULO CISNEROS

NOT FOR REGULATORY  
APPROVAL, PERMITTING  
OR CONSTRUCTION

ENGINEER:

REVISIONS:

DATE ISSUED: 21 FEB. 2011  
SHEET:

**A6.1**