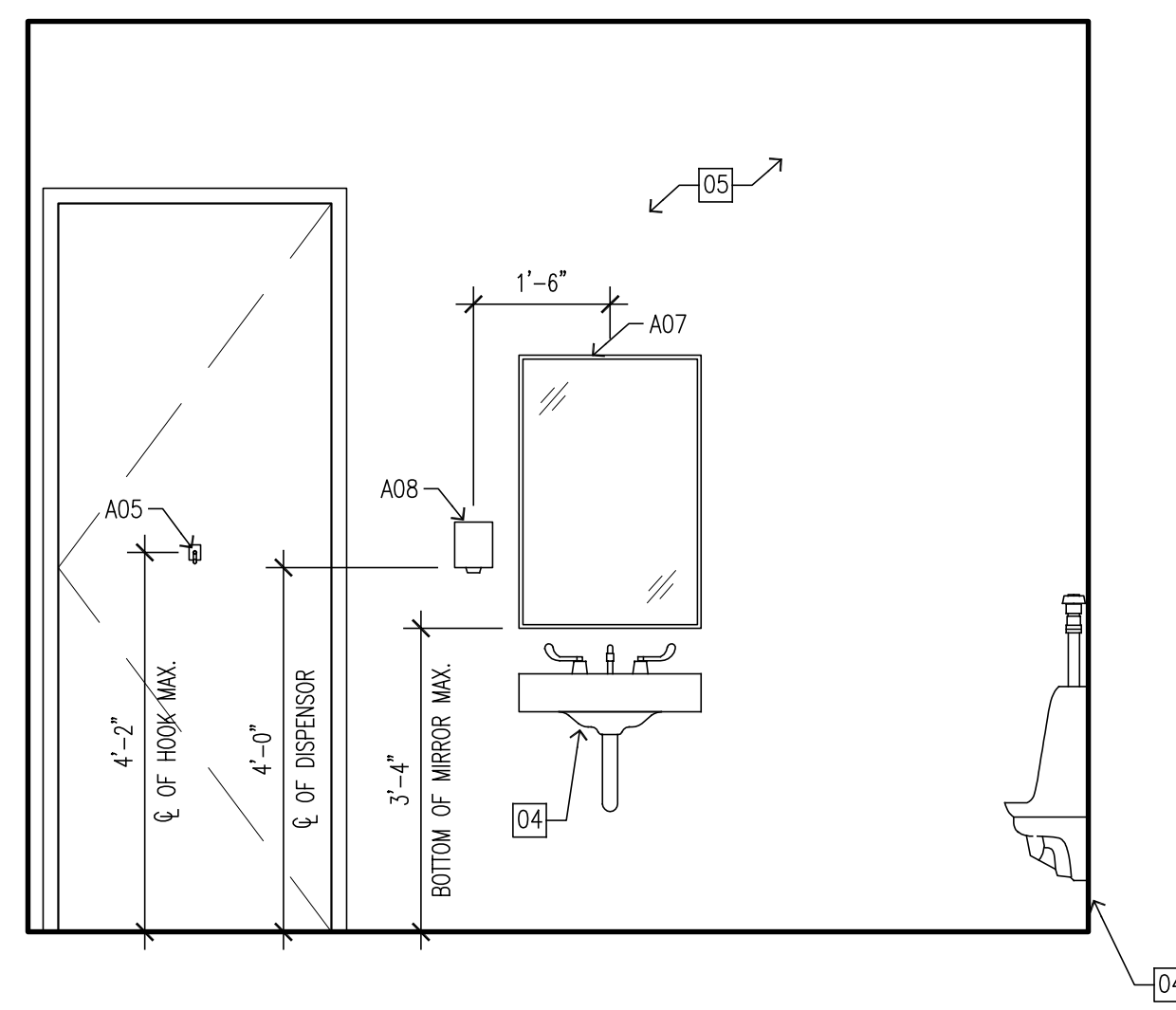
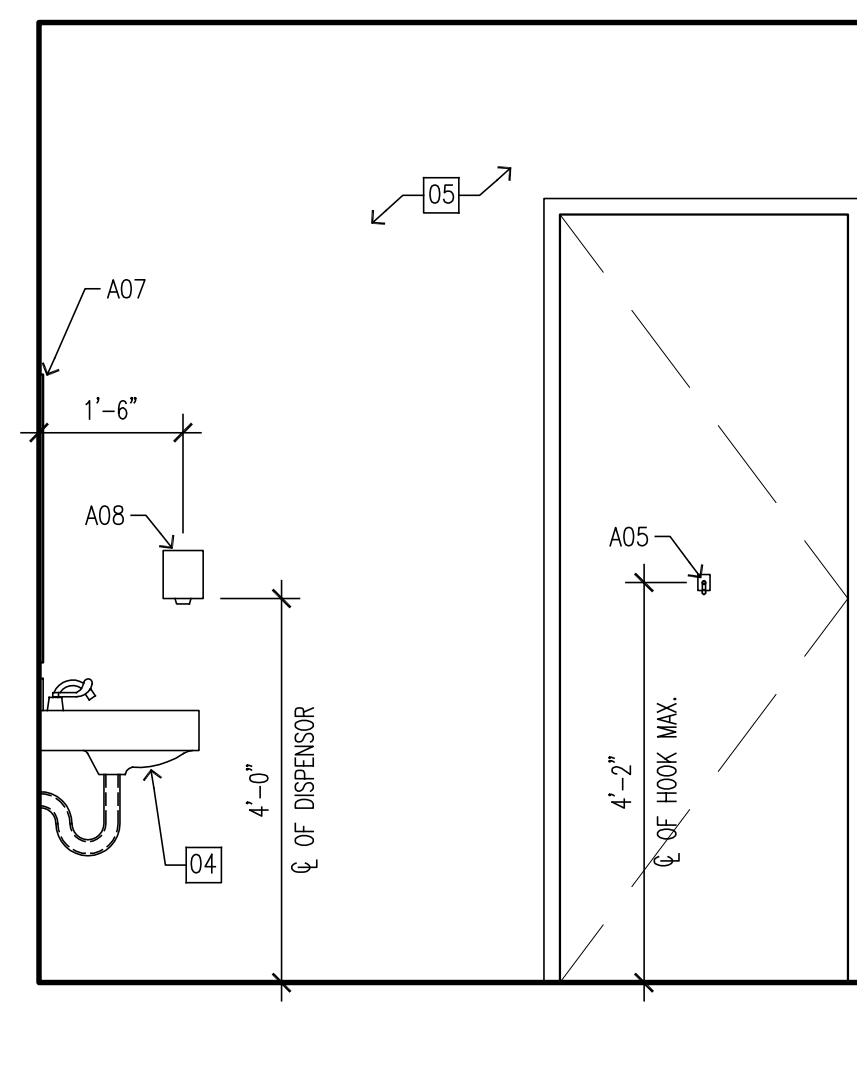


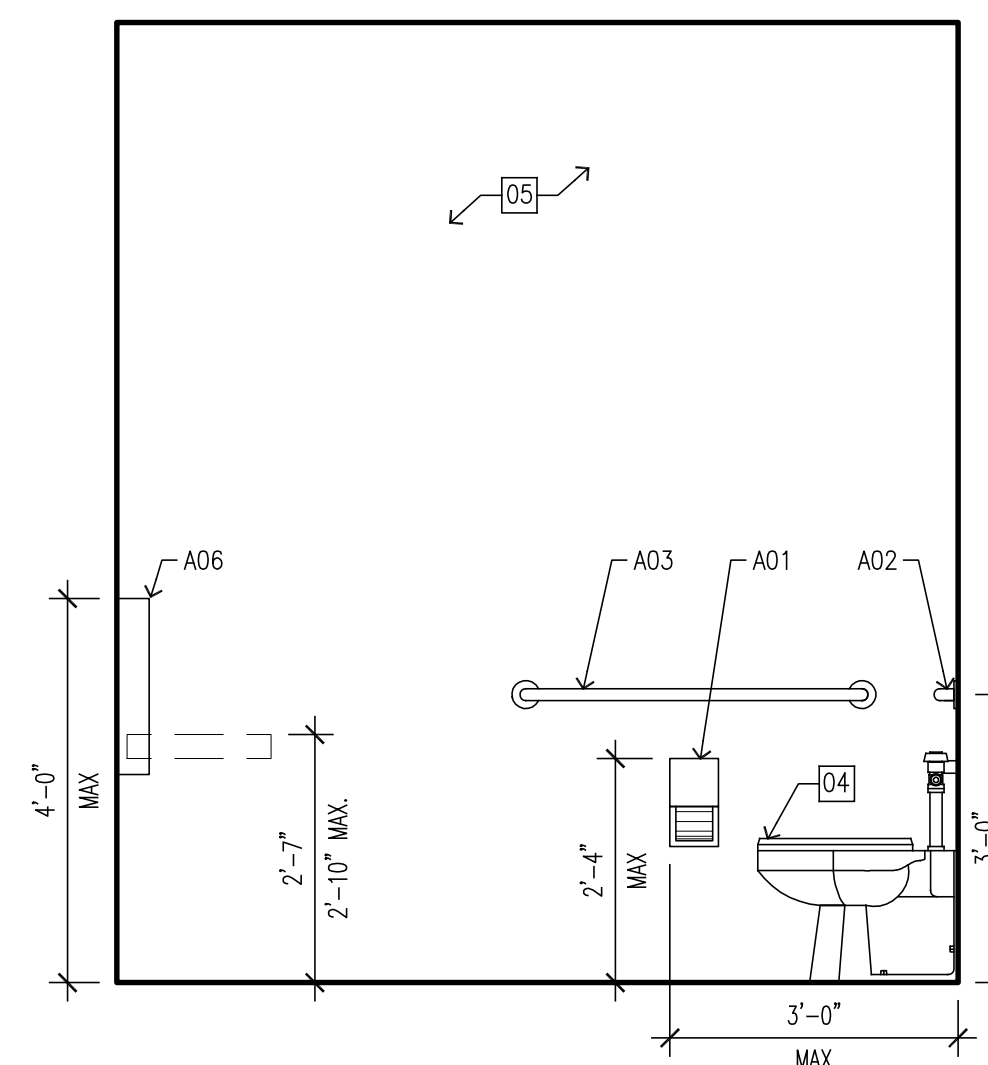
12 A4.1 RESTROOM ELEVATION
1/2'-1'-0" MEN'S RESTROOM 106



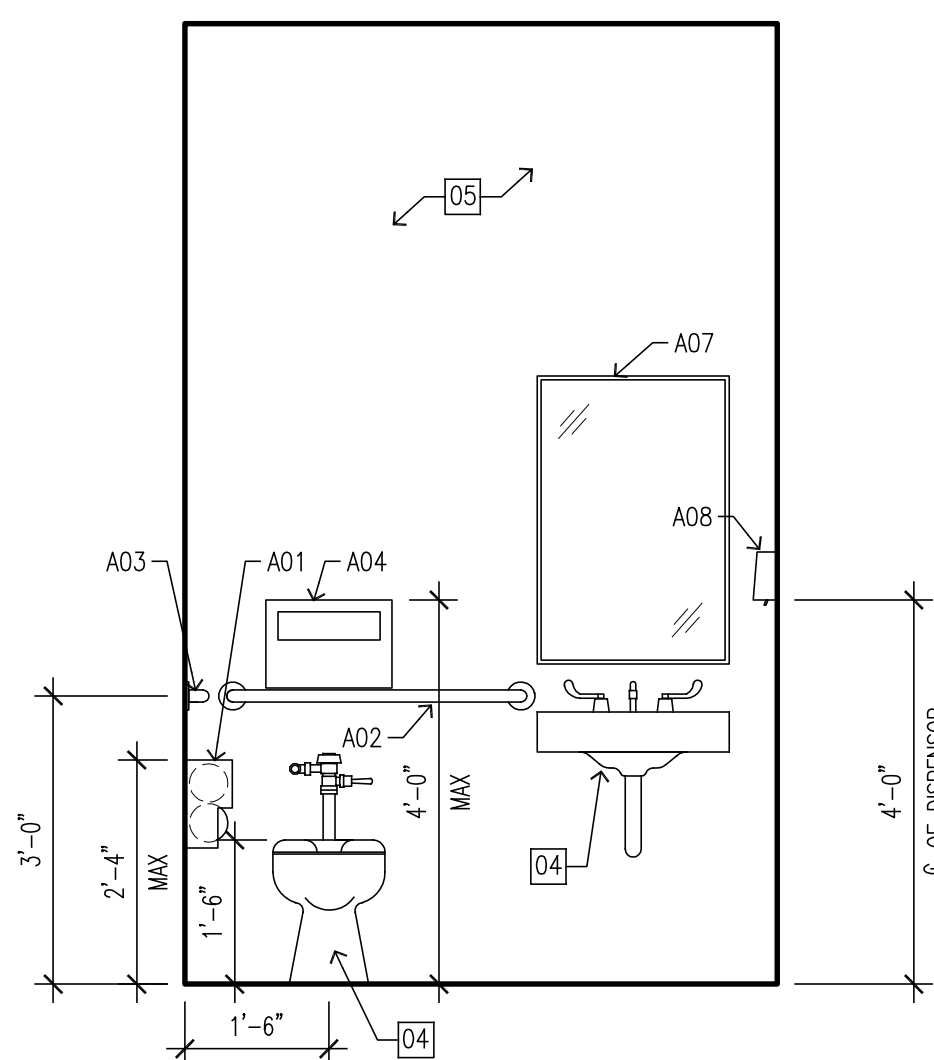
9 A4.1 RESTROOM ELEVATION
1/2'-1'-0" MEN'S RESTROOM 106



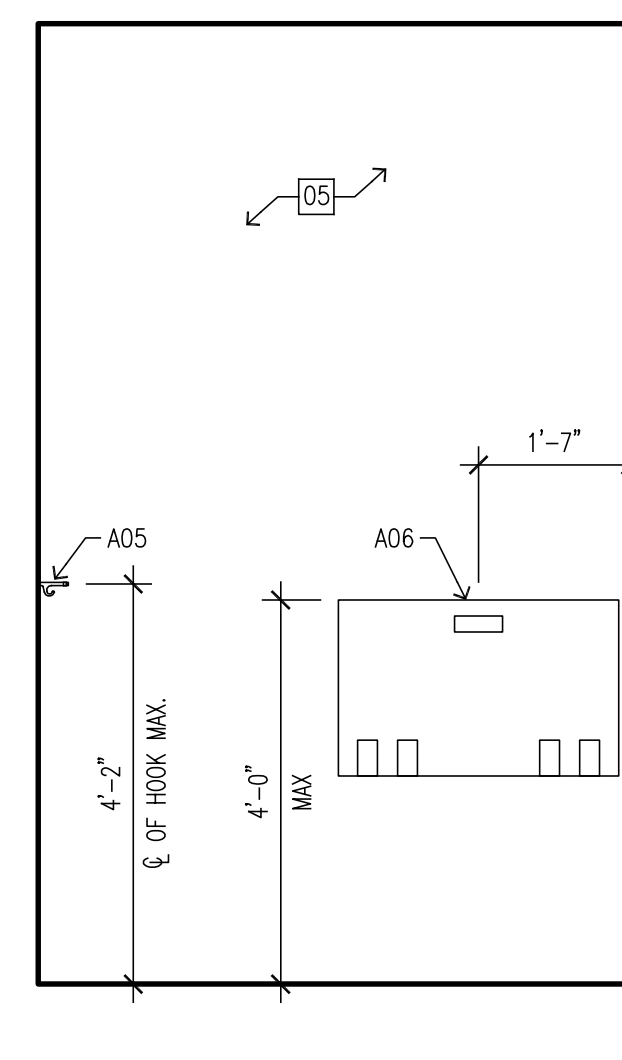
6 A4.1 RESTROOM ELEVATION
1/2'-1'-0" WOMEN'S RESTROOM 104



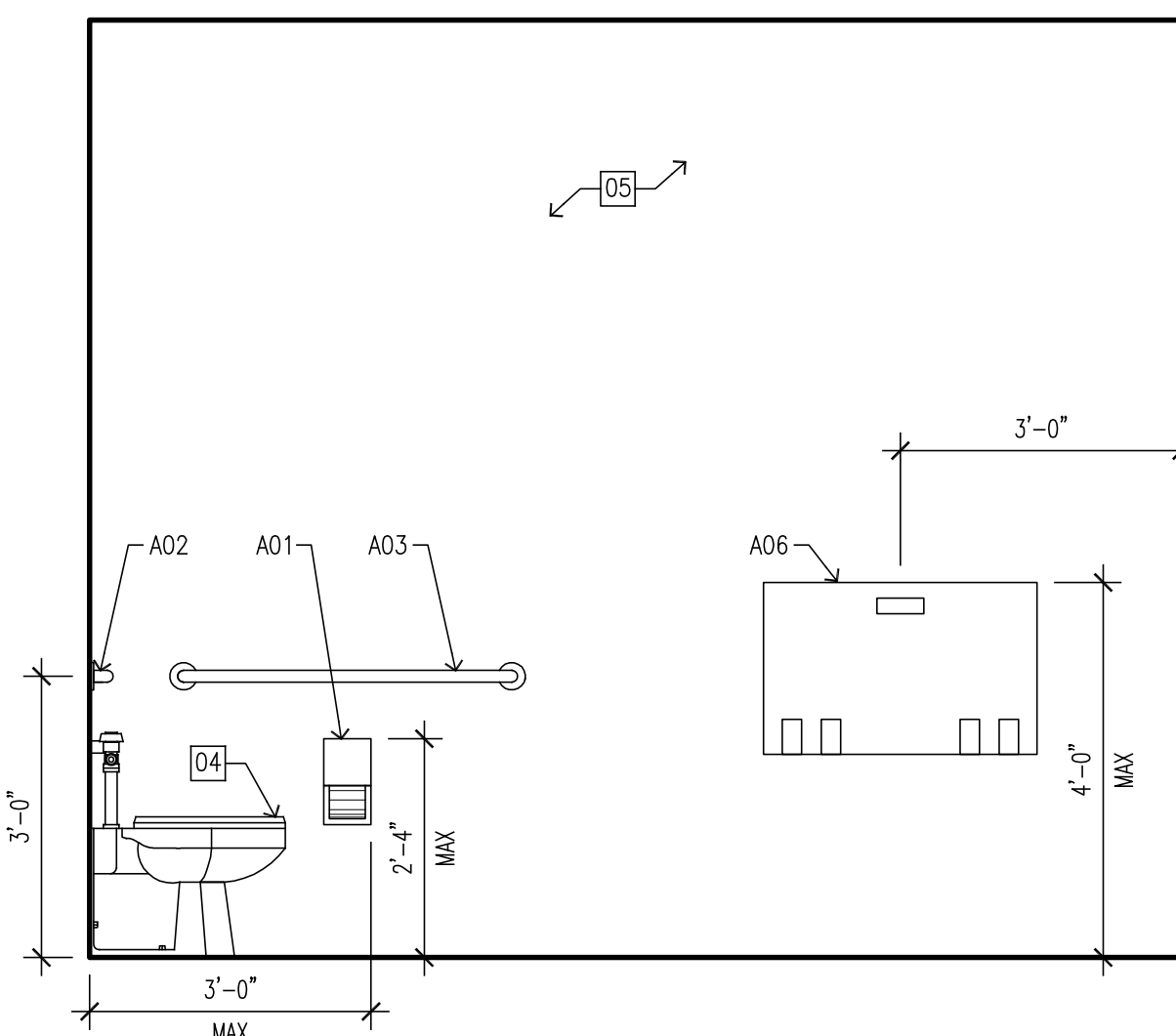
3 A4.1 RESTROOM ELEVATION
1/2'-1'-0" WOMEN'S RESTROOM 104



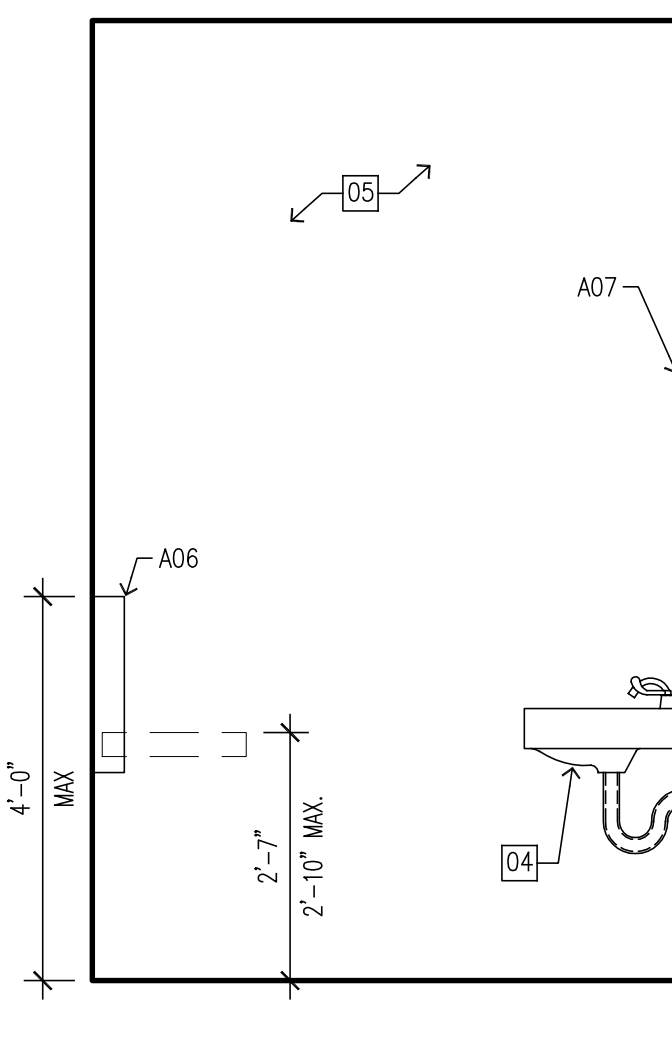
8 A4.1 RESTROOM ELEVATION
1/2'-1'-0" WOMEN'S RESTROOM 104



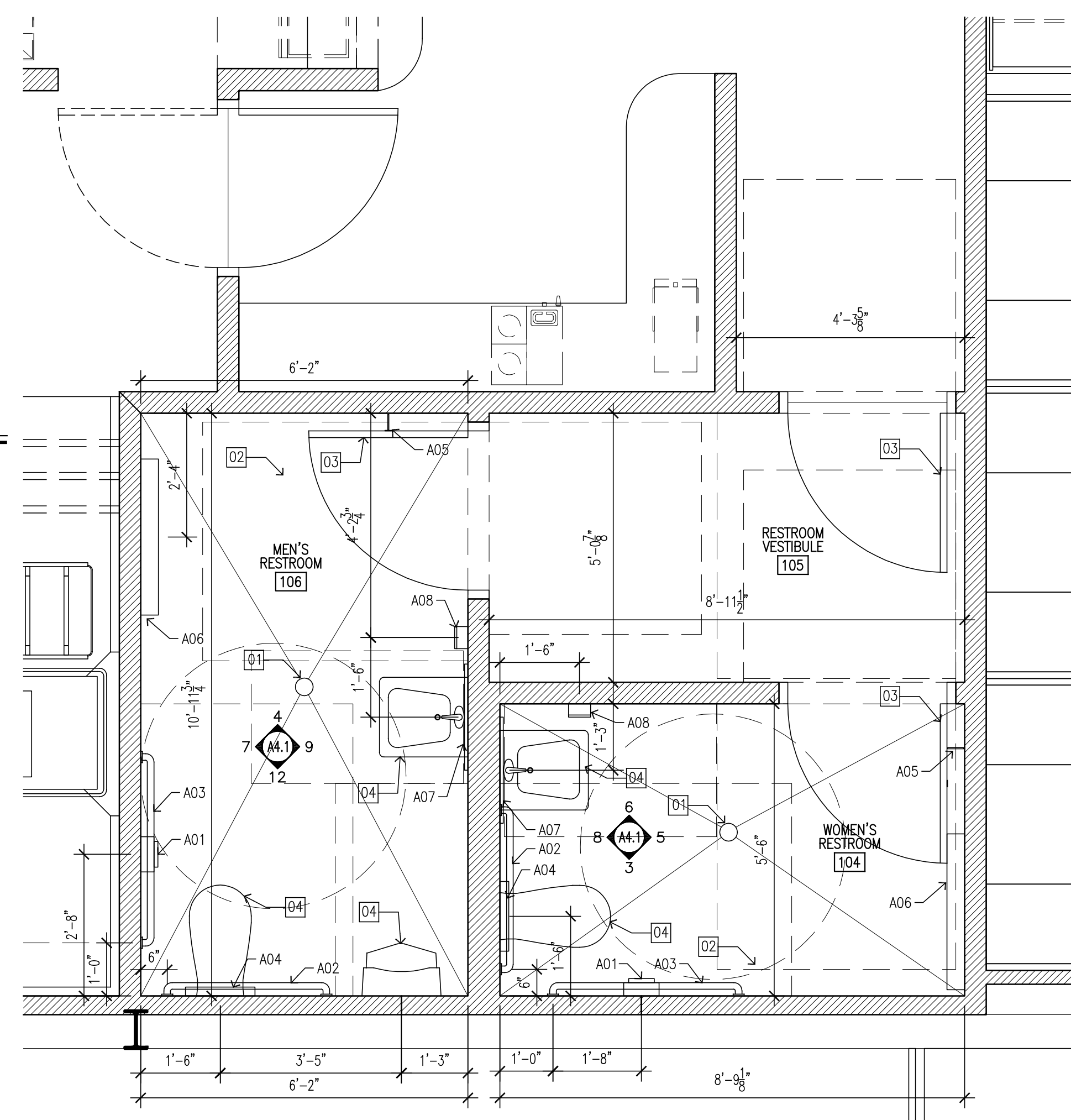
5 A4.1 RESTROOM ELEVATION
1/2'-1'-0" WOMEN'S RESTROOM 104



7 A4.1 RESTROOM ELEVATION
1/2'-1'-0" MEN'S RESTROOM 106



4 A4.1 RESTROOM ELEVATION
1/2'-1'-0" MEN'S RESTROOM 106



1 A4.1 ENLARGED RESTROOM PLAN

RESTROOM PLAN GENERAL NOTES:

1. DOOR LOCATIONS SHALL BE 4" FROM NEAREST INTERSECTING WALL, OR CENTERED ON WALL IF RESIDES, UNLESS NOTED OTHERWISE.
2. ALL DIMENSIONS ARE TO FACE OF SLAB, FINISH FACE OF WALL, ϕ OR EDGE OF STRUCTURAL MEMBER, OR ϕ OF OBJECT; U.N.O.
3. TILE ALL WALLS UP TO 4'-6" HIGH.
4. REFER TO MEP DRAWINGS FOR PLUMBING AND FIXTURE SPECIFICATIONS.
5. ALL RESTROOM ACCESSORIES ARE TO BE PROVIDED/MANUFACTURED BY BOBRICK.
6. REFER TO GN2.0 AND GN2.1 FOR TMS REQUIRED MOUNTING HEIGHTS AND CLEARANCES

RESTROOM ACCESSORIES

NO.	DESCRIPTION	MODEL NO.	COMMENTS
A01	SURFACE MTD MULTI-ROLL TOILET PAPER DISPENSER	B-2888	-
A02	S.S. 1-1/2" GRAB BARS (36")	B-6806x36	-
A03	S.S. 1-1/2" GRAB BARS (42")	B-6806x42	-
A04	SURFACE MTD SEAT COVER DISPENSER	B-221	-
A05	CLOTHES HOOK W/ BUMPER	B-212	-
A06	SURFACE MTD BABY CHANGING STATION	KB200-00	-
A07	MIRROR	B-290-2436	-
A08	SURFACE MTD SOAP DISPENSER	B-2111	-

* ADA REQUIRES W/C FLUSH CONTROL LEVER TO BE LOCATED ON TANK SIDE OPPOSITE ADJACENT WALL.

RESTROOM PLAN KEYED NOTES:

NOT ALL KEYED NOTES WILL BE USED ON THIS SHEET

- [01] FLOOR DRAIN, RE: MEP
- [02] ACCESSIBLE CLEAR FLOOR SPACE AND/OR TURNING RADIUS
- [03] SCHEDULED DOOR, RE: DOOR SCHEDULE
- [04] SCHEDULED PLUMBING FIXTURE, RE: MEP DWGS
- [05] SCHEDULED WALL FINISH, RE: FINISH SCHEDULE

**CISNEROS DESIGN STUDIO,
ARCHITECTS LLC**

4621 Montrose Blvd. Suite B220 Houston, Texas 77006
(PH) 713-520-7745 (FAX) 713-520-8894

Copyright 2011
CISNEROS DESIGN STUDIO, ARCHITECTS LLC
All rights reserved. No part of this document may be reproduced, stored in a retrieval system, or transmitted in any form or by any means, electronic, mechanical, photocopying, recording, or by any information storage and retrieval system, without the prior written permission of the Architect. This document is to be used only for the project and for the site indicated. The Architect is not responsible for any errors or omissions in this project except by agreement in writing and with appropriate compensation for the Architect. Contractor is responsible for obtaining all necessary permits, licenses, and approvals for construction means, methods, techniques, sequences or procedures, or for safety precautions and programs in connection with the project.

DAMICO'S RESTAURANT
2802 WHITE OAK, SUITE 500
HOUSTON, TX 77007

ARCHITECT: ROMULO CISNEROS

NOT FOR REGULATORY
APPROVAL, PERMITTING
OR CONSTRUCTION

ENGINEER:

REVISIONS:

DATE ISSUED: 21 FEB. 2011
SHEET:

A4.1