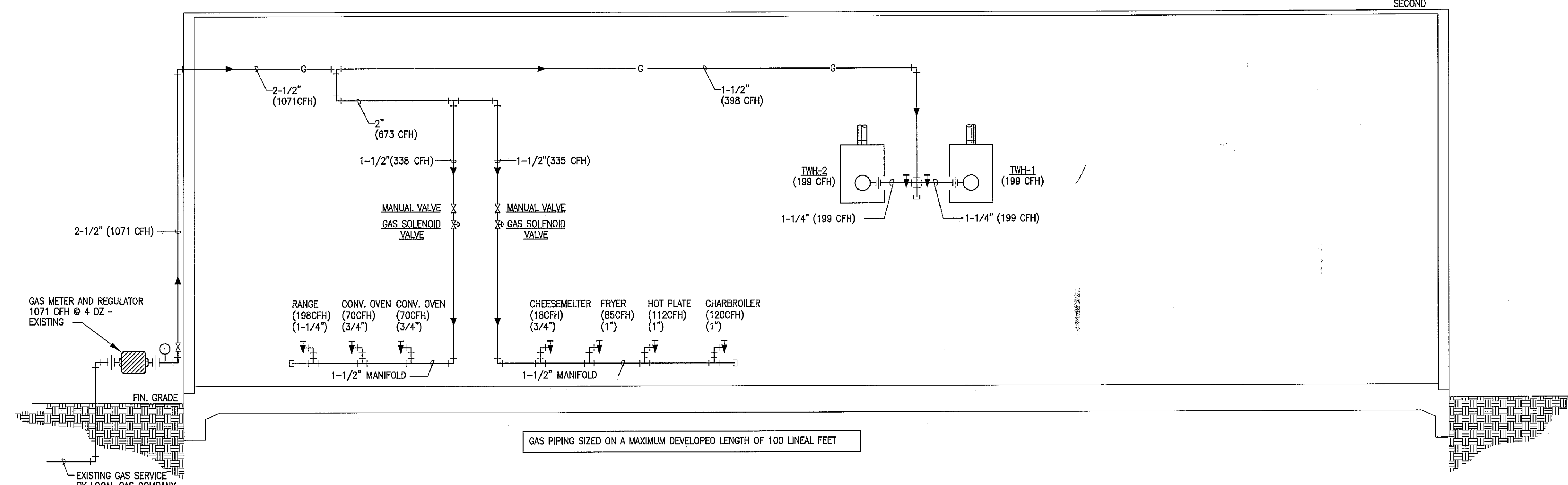


ISSUE  
 10-24-11 LANDLORD REVIEW  
 11-03-11 ISSUED FOR PERMIT AND PRICING

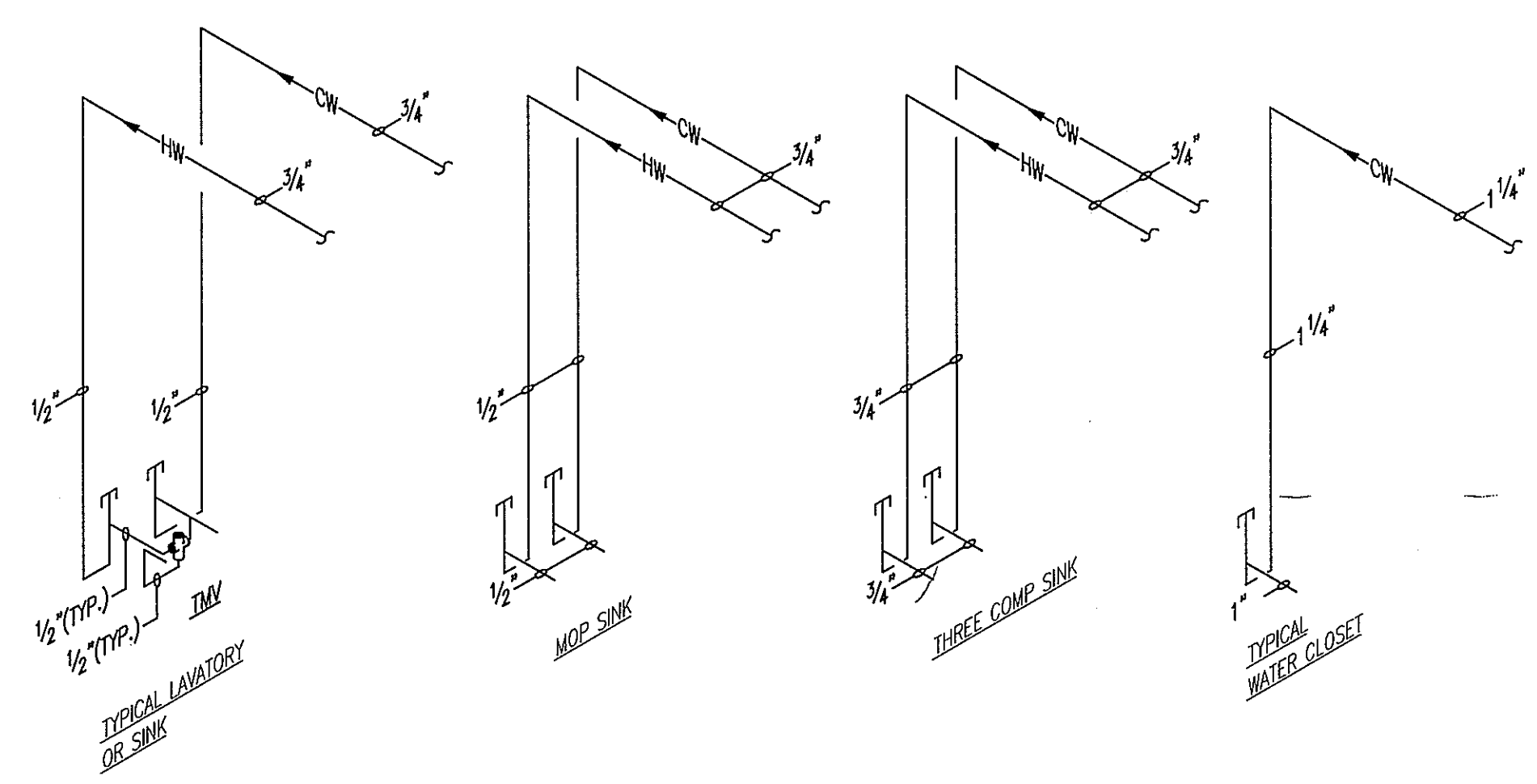
### PLUMBING LEGEND

SYMBOL	DESCRIPTION
— SAN —	SANITARY OR WASTE PIPING ABOVE GRADE (SAN)
— SAN —	SANITARY OR WASTE PIPING BELOW GRADE (SAN)
— GW —	GREASE WASTE PIPING (GW)
— GW —	GREASE WASTE PIPING BELOW GRADE (GW)
— V —	VENT PIPING ABOVE OR BELOW GRADE (V)
— CW —	COLD WATER PIPING (CW)
— HW —	HOT WATER PIPING (HW)
— HWR —	HOT WATER RETURN PIPING (HWR)
— TW —	TEMPERED WATER (TW)
— TP —	TRAP PRIMER LINE (TP)
— GAS —	NATURAL GAS PIPING (G)
— GV —	GAS VENT PIPING (GV)
→	FLOW DIRECTIONAL ARROW
⊘	SHUT-OFF VALVE
⊘	BALANCING VALVE (BV)
⊘	SOLENOID VALVE (SV)
⊘	BALL VALVE (BV)
⊘	BUTTERFLY VALVE
⊘	GAS PLUG VALVE (GPV)
⊘	HORIZONTAL SWING CHECK
⊘	UNION
⊘	Y-STRAINER
⊘	REDUCER OR INCREASER
⊘	ECCENTRIC REDUCER
⊘	REDUCED PRESSURE BACKFLOW PREVENTER (RP2)
⊘	PIPING DOWN
⊘	RISE OR DROP PIPING
⊘	PIPING UP -OR- PIPING UP & DOWN
⊘	CAP ON END OF PIPE
⊘	CLEANOUT (WALL OR CEILING) (CO)
⊘	FLOOR CLEANOUT (FCO)
⊘	EXTERIOR CLEANOUT WITH 18"x18"x4" CONCRETE PAD (ECO)
⊘	TWO-WAY CLEANOUT (PROVIDE 18"x24"x4" CONCRETE PAD OUTSIDE)
⊘	PRESSURE REDUCING VALVE (PRV)
⊘	BRANCH CONNECTION OUT OF TOP
⊘	BRANCH CONNECTION OUT OF BOTTOM
⊘	BRANCH CONNECTION OUT OF SIDE
⊘	WYE & 1/8TH BEND BRANCH CONNECTION
⊘	WYE BRANCH CONNECTION
⊘	HOSE BIBB
⊘	PRESSURE GAUGE WITH COCK
⊘	THERMOMETER
⊘	GAS PRESSURE REGULATOR
⊘	TEST COCK
⊘	GAS METER
⊘	WALL HYDRANT
⊘	VALVE IN RISE
⊘	ASME TEMPERATURE & PRESSURE RELIEF VALVE
⊘	VACUUM RELIEF VALVE
⊘	ANGLE VALVE
⊘	REFER TO KEYED NOTE
⊘	FLOOR SINK (FS)
⊘	FLOOR DRAIN (FD)
⊘	FLOOR DRAIN WITH P-TRAP (FD)
⊘	FLOOR DRAIN WITH P-TRAP AT 45° ANGLE (FD)
⊘	HUB DRAIN (HD)
⊘	ACCESS PANEL FOR TRAP PRIMER
⊘	ACCESS PANEL LOCATION SYMBOL
⊘	SHOCK ABSORBER WITH ACCESS PANEL
⊘	AIR CHAMBER
(E)	EXISTING
(N)	NEW
⊘	CONNECT NEW TO EXISTING
⊘	INVERT ELEVATION
⊘	QUARTER OF AN INCH SLOPE
⊘	1/8TH OF AN INCH SLOPE
⊘	1/16TH OF AN INCH SLOPE
⊘	DELTA CHANGE SYMBOL
⊘	RISER FLAG

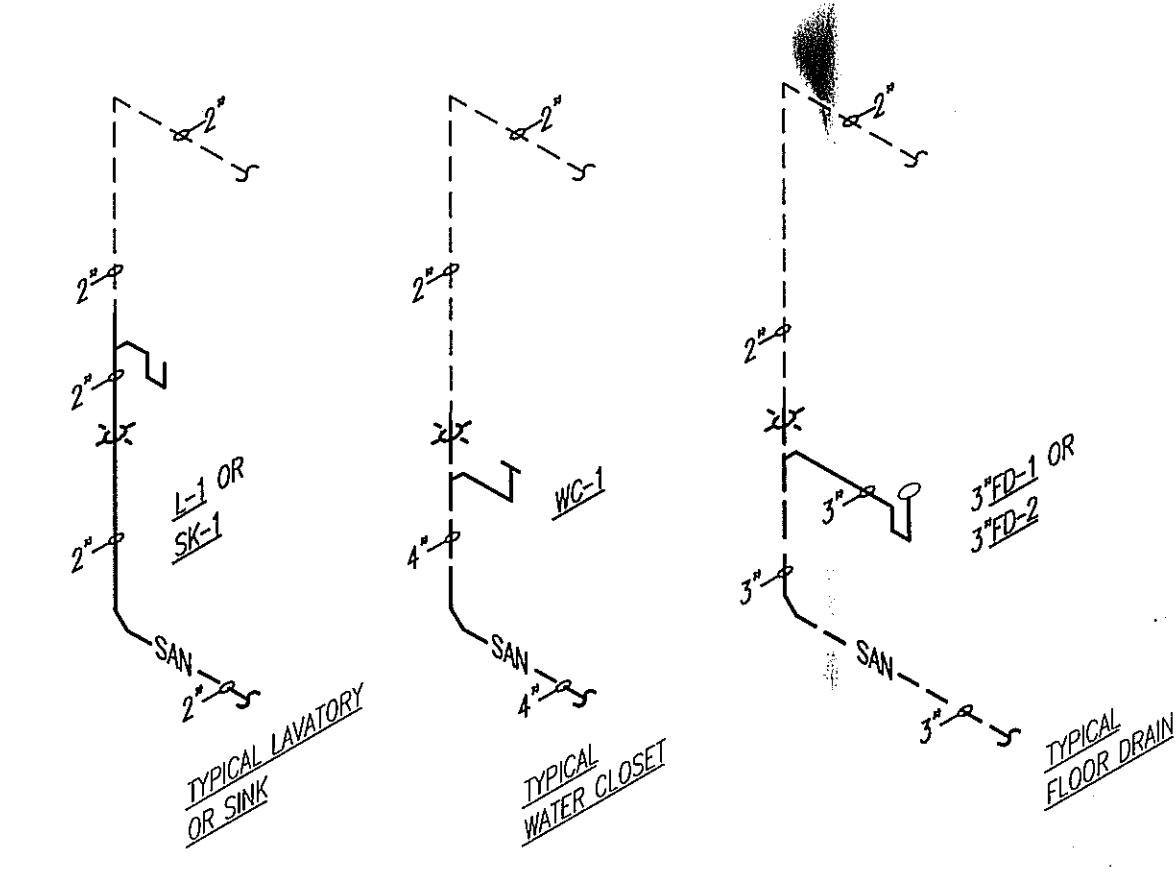
NOTE: NOT ALL SYMBOLS MAY APPLY TO THIS PROJECT.



1 NATURAL GAS RISER  
 SCALE: NONE



2 TYPICAL DOMESTIC WATER RISERS  
 SCALE: NONE



3 TYPICAL WASTE AND VENT RISERS  
 SCALE: NONE

- ### PLUMBING GENERAL NOTES
- REFER TO CIVIL DRAWINGS FOR CONTINUATION OF DOMESTIC WATER AND SANITARY WASTE UTILITIES.
  - REFER TO CIVIL DRAWINGS FOR SIZE AND LOCATION OF DOMESTIC WATER METER ON SITE.
  - REFER TO ARCHITECTURAL/CIVIL DRAWINGS FOR BUILDING FINISHED FLOOR ELEVATION.
  - FIELD VERIFY EXACT LOCATION, SIZE, DEPTH, DIRECTION OF FLOW, CAPACITY, PIPE MATERIAL AND CONDITION OF EXISTING SITE DOMESTIC WATER AND SANITARY WASTE PIPING PRIOR TO BEGINNING CONSTRUCTION TO ENSURE THAT PROPER CONNECTIONS TO AND EXTENSION OF SUCH UTILITIES CAN BE MADE.
  - INVERT ELEVATIONS LISTED ARE APPROXIMATE. PRIOR TO CONSTRUCTION, COORDINATE FINAL INVERT ELEVATIONS OF BUILDING SANITARY OUTFALLS AND SITE PIPING WITH SITE UTILITY CONTRACTOR. MAKE ADJUSTMENTS AS REQUIRED TO ENSURE PROPER CONNECTIONS TO SITE UTILITIES.
  - PRIOR TO BEGINNING CONSTRUCTION, COORDINATE PLUMBING BACKFLOW PREVENTION REQUIREMENTS WITH THE LOCAL CODE AUTHORITY AND PROVIDE AS DIRECTED.
  - CONTRACTOR SHALL COORDINATE ROUTING OF PIPING BELOW SLAB WITH COLUMN FOOTINGS, GRADE BEAMS, UNDERGROUND PLUMBING AND ELECTRICAL UTILITIES, AND OTHER SUB-SURFACE BUILDING ELEMENTS.
  - CONTRACTOR SHALL COORDINATE ROUTING OF PIPING IN CEILING SPACES WITH MECHANICAL AND ELECTRICAL EQUIPMENT, DUCTWORK AND CONDUIT. SHOULD A CONFLICT OCCUR THE CONTRACTOR SHALL NOTIFY THE ARCHITECT/ENGINEER PRIOR TO INSTALLING AN ALTERNATE PIPING PLAN.
  - MAINTAIN MINIMUM 10'-0" DISTANCE BETWEEN VENT TERMINALS THROUGH ROOF AND ALL FRESH AIR INTAKES.
  - COORDINATE ALL FIXTURE AND EQUIPMENT LOCATIONS AND CONNECTION REQUIREMENTS WITH LATEST ARCHITECTURAL DRAWINGS, SPECIFICATIONS, AND MANUFACTURER RECOMMENDATIONS PRIOR TO ANY ROUGH-INS.
  - DO NOT ROUGH-IN FROM THESE DRAWINGS. REFER TO LATEST ARCHITECTURAL DRAWINGS FOR DIMENSIONED LOCATIONS.
  - CONTRACTOR TO COORDINATE ALL WORK WITH THE WORK OF OTHER TRADES TO AVOID CONFLICTS AND TO MINIMIZE INTERRUPTION OF SERVICES.
  - ALL WORK, METHODS AND INSTALLATIONS INVOLVED IN THE PLUMBING DESIGN SHALL BE IN ACCORDANCE WITH THE CITY BUILDING CODE AND INSPECTION REGULATIONS AND ALL OTHER OFFICIALS HAVING JURISDICTION.
  - UPON COMPLETION OF WORK, THOROUGHLY ROO OUT AND FLUSH ALL SANITARY PIPING TO ENSURE IT IS FREE FROM BLOCKAGES.

**HARRELL**  
 ARCHITECTS, LP  
 9575 Katy Frwy., #200  
 Houston, Texas 77024  
 tel: 713.722.7071  
 fax: 713.722.7072

CONSULTANTS  
 Holste & Associates, Inc.  
 Consulting Engineers - Texas Reg. F-5443  
 6671 Southwest Freeway, Suite 509  
 Houston, Texas 77074 (713) 995-1351  
 www.holstengp.com  
 Contact: Kirk Gibson (832) 643-0368

PROJECT NAME  
 Cafe Express Restaurant  
 PROJECT ADDRESS  
 3800 SW. Freeway, Suite 124  
 Houston, Texas 77027

PROJECT NUMBER  
 11039  
 SHEET NAME  
 PLUMBING  
 GAS RISER  
 SHEET NUMBER

**P3.1**